

Instruction  
SP-1400-1NE  
December 2010

# NOR'EAST

— CONTROLS, INC.

A DIVISION OF ALLGASH INTERNATIONAL, INC.



## Spare Parts

**SERIES 1400 SINGLE SEATED,  
LOW FLOW GLOBE VALVES**

Previously manufactured by Dezurik® and Honeywell®

# Nor' East

## 1/2" - 2" 1400 Series Single Seated Low Flow Globe Valves

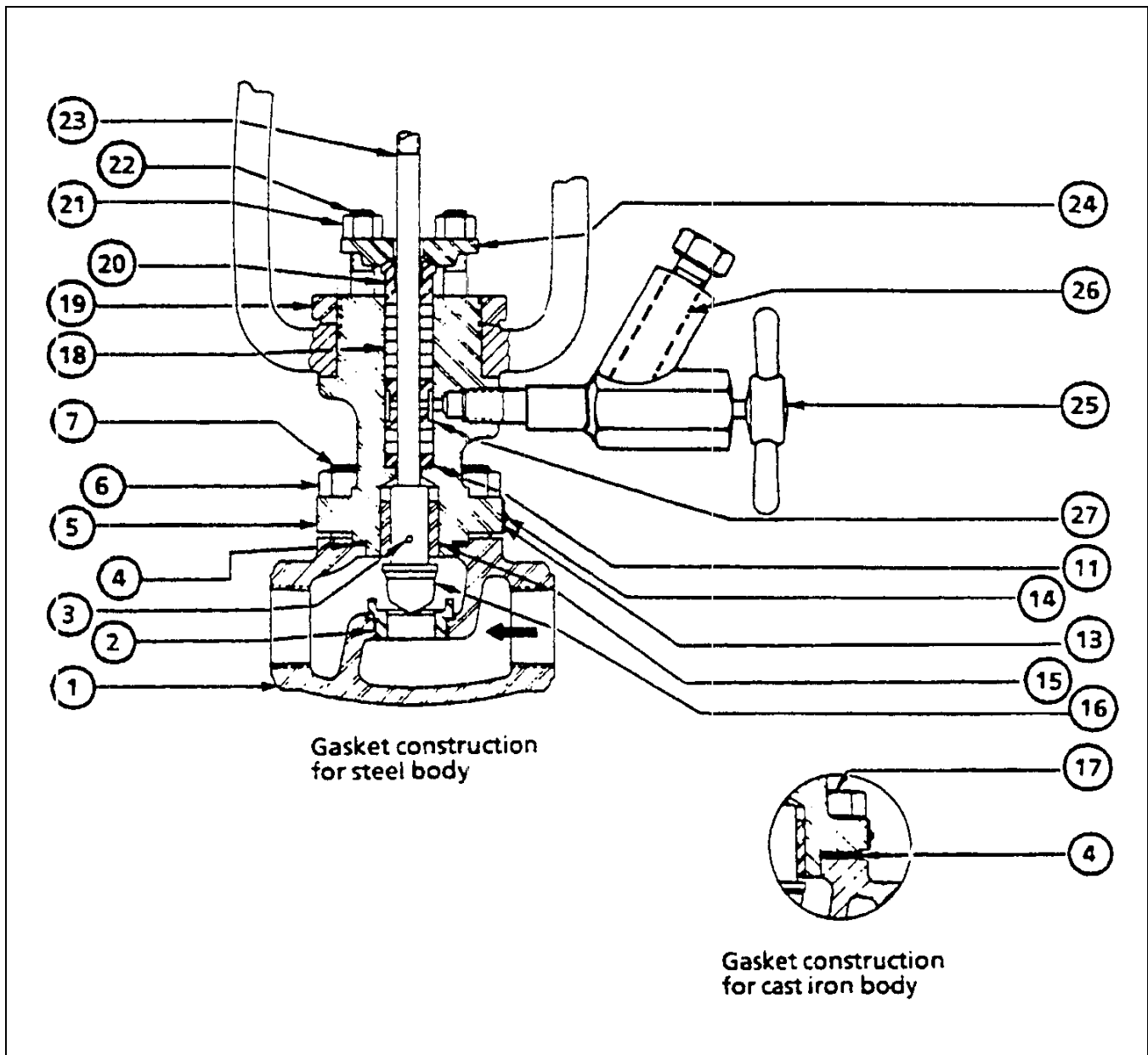


Figure 1: Plain Bonnet with Bolted Packing Adjustment

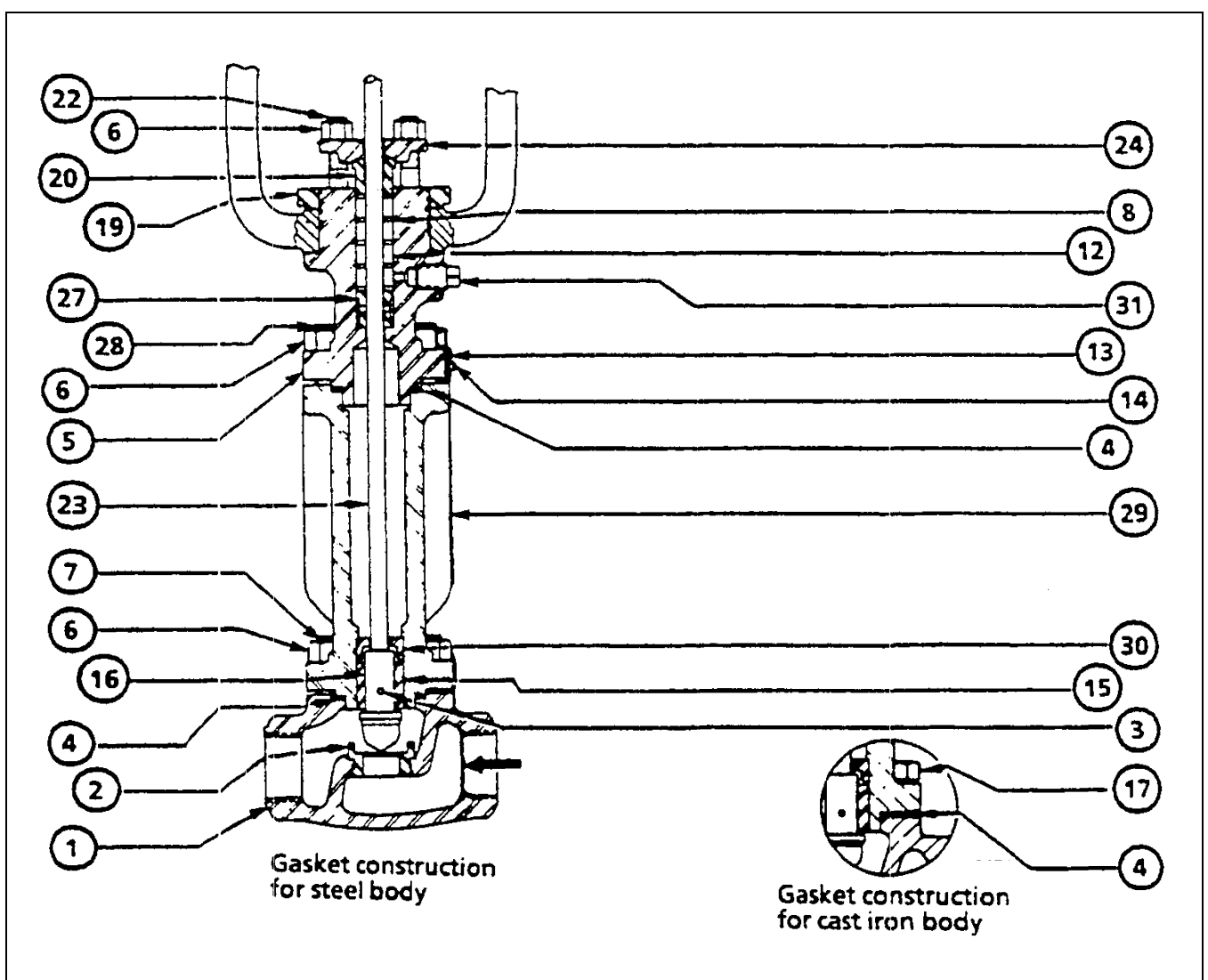
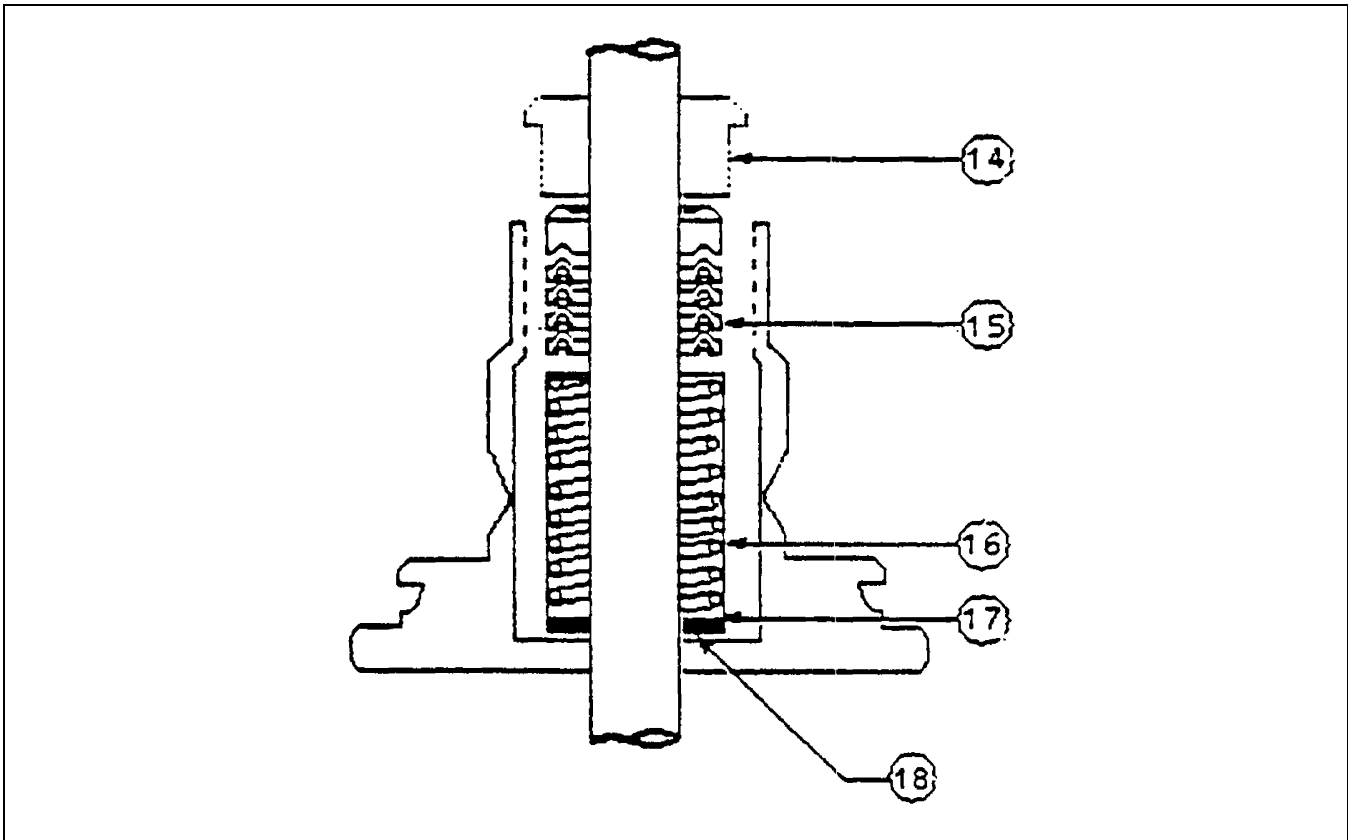


Figure 2: Extension Column Bonnet with Bolted Packing Adjustment

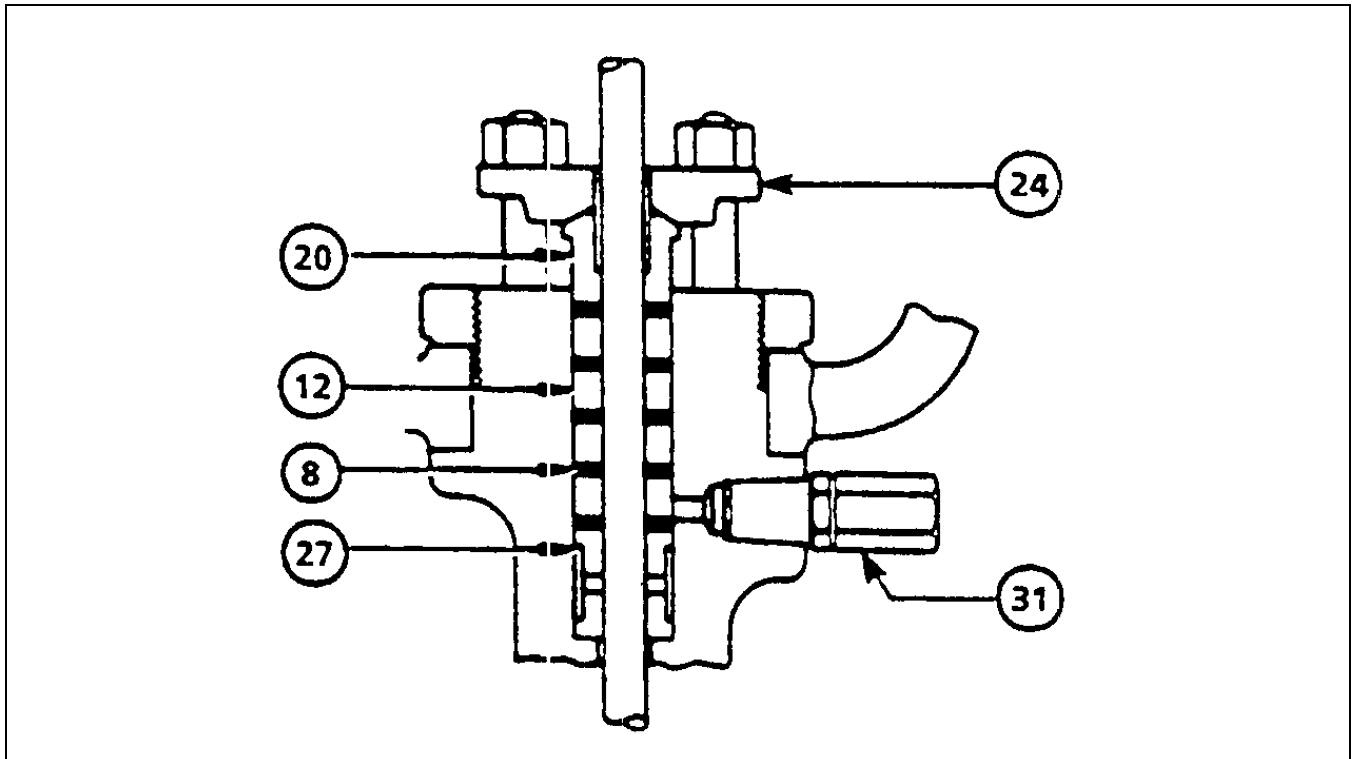
# Nor' East

## 1/2" – 2" 1400 Series Single Seated Low Flow Globe Valves

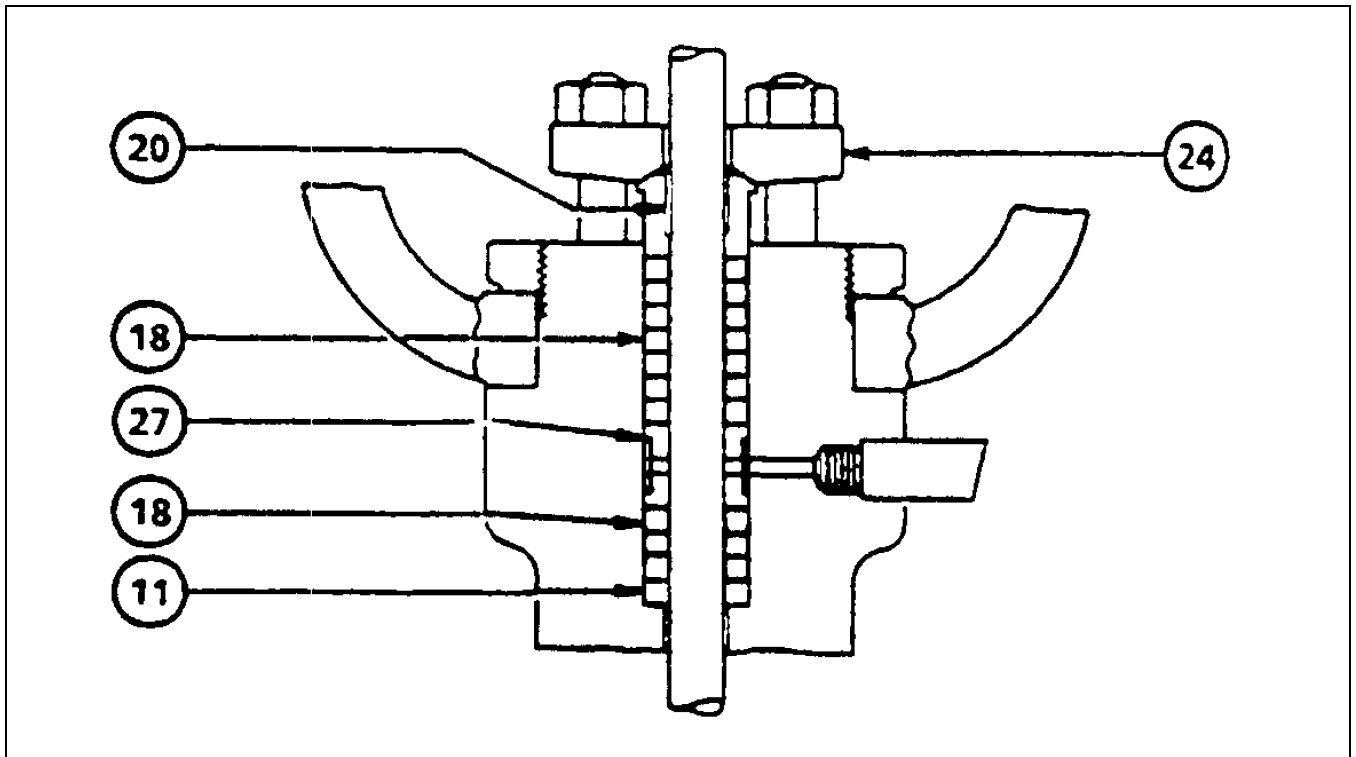


**Figure 4: Spring-Loaded Teflon V-Ring Packing (125 & 250 lbs rating)**

14	Packing Box Nut	30775650-001
15	Packing	30065395-936
16	Spring	30041084-218
17	Packing Flange	30041086-107
18	O Ring	30685400-026



**Figure 5: Shredded Teflon Packing with Bolted Packing Adjustment**



**Figure 6: Teflon Graphite or Laminated Graphite (Grafoil) Packing with Bolted Packing Adjustment**

# Nor' East

## 1/2" – 2" 1400 Series Single Seated Low Flow Globe Valves

### Key No. 1 – Body and Stud Assembly \*

Valve Size	Rating and End Connection						
	Body Material	250 lb Screwed	600 lb Screwed	125 lb Flanged	150 lb Flanged	250 lb Flanged	300 lb Flanged
1/2"	Cast Iron	30672700-001	-	-	-	-	-
	Cast Steel	-	30672701-001	-	-	-	-
	316 SS (-150 to -21°F)	-	30672701-002	-	-	-	-
	316 SS (-20 to 750°F)	-	30672701-003	-	-	-	-
3/4"	Cast Iron	30672702-001	-	-	-	-	-
	Cast Steel	-	30672703-001	-	-	-	-
	316 SS (-150 to -21°F)	-	30672703-002	-	-	-	-
	316 SS (-20 to 750°F)	-	30672703-003	-	-	-	-
1"	Cast Iron	30672704-001	-	30672706-001	-	30672707-001	-
	Cast Steel	-	30672705-001	-	30672708-001	-	30672709-001
	316 SS (-150 to -21°F)	-	30672705-002	-	30672708-002	-	30672709-002
	316 SS (-20 to 750°F)	-	30672705-003	-	30672708-003	-	30672709-003
1-1/2"	Cast Steel	-	30745423-001	-	30745424-001	-	30745425-001
	316 SS (-150 to -21°F)	-	30745423-003	-	30745424-003	-	30745425-003
	316 SS (-20 to 750°F)	-	30745423-002	-	30745424-002	-	30745425-002
2"	Cast Steel	-	30745426-001	-	30745427-003	-	30745428-003
	316 SS (-20 to 750°F)	-	30745426-002	-	30745427-002	-	30745428-002
		<b>600 lb Flanged</b>	<b>150 lb RTJ Flanged</b>	<b>300 lb RTJ Flanged</b>	<b>600 lb RTJ Flanged</b>		
1"	Cast Steel	30672710-001	30672711-001	30672712-001	30672712-001		
	316 SS (-150 to -21°F)	30672710-002	30672711-002	30672712-002	30672712-002		
	316 SS (-20 to 750°F)	30672710-003	30672711-003	30672712-003	30672712-003		

\* Cast Iron bodies supplied without studs. Use capscrews.

### Key No. 2 – Seat Ring – 9/16" Travel

Valve Size/Cv	Plug Characteristics					
	Equal % V-Port		Linear Contour		Equal % Contour	
	S. S.	Stellite	S. S.	Stellite	S. S.	Stellite
1/2", 3/4" & 1"						
0.25	30066382-342	30066382-165	-	-	-	-
0.63	30066383-342	30066383-165	30066382-342	30066382-165	30066382-342	30066382-165
1.6	30066384-342	30066384-165	30066383-342	30066383-165	30066384-342	30066384-165
2.5	-	-	-	-	30066384-342	30066384-165
4.0	30066385-342	30066385-165	30066384-342	30066384-165	30066384-342	30066384-165
6.3	30066387-342	30066387-165	-	-	-	-
8.0	-	-	30066387-342	30066387-165	30066387-342	30066387-165
11.0	-	-	30066388-342	30066388-165	30066388-342	30066388-165

**1/2" – 2" 1400 Series Single Seated Low Flow Globe Valves**

**Key No. 2 – Seat Ring – 9/16" Travel**

Valve Size/Cv		Plug Characteristics			
		Linear Contour		Equal % Contour	
1-1/2"	2"	S. S.	Stellite	S. S.	Stellite
1.6	1.6	30066383-342	30066383-165	30066383-342	30066383-165
4.0	4.0	30066384-342	30066384-165	30066384-342	30066384-165
8.0	8.0, 10.0, 10.8	-	-	30066387-342	30066387-165
9.9, 10.0	9.6, 10.5	30066387-342	30066387-165	-	-
	13.5, 14.7	30066388-342	30066388-165	-	-
12.1, 13.7	12.7, 13.5	-	-	30066385-002	30745385-001
13.7, 14.2	14.6, 16.0	30745385-002	30745385-001	-	-

Note: Sizes 1-1/2" and 2" use the same seat ring.

**Key No. 2 – Seat Ring – 1/4" Travel (05 Actuator only)**

Cv	Plug Characteristics - Linear Contour	
	Trim Material	
	S. S.	Stellite
0.025	30066379-313	30066379-165
0.063	30066379-313	30066379-165
0.16	30066379-313	30066379-165
0.4	30066379-313	30066379-165
1.0	30066380-313	30066380-165

**Key No. 3 – Pin**

30032248-322
--------------

**Key No. 4 – Gasket – Body and Bonnet – Valve sizes 1/2", 3/4" and 1"**

Body Material	Plain Bonnet	Insulating Column	Radiating Fin	Bellows Seal	Qty
Cast Iron	30048918-859	-	-	30048918-355	1
	-	30048918-859	30048918-841	-	2
Cast Steel	30047528-859	-	-	-	1
	-	30047528-859	30047528-841	-	2
S. S.	30047528-365	-	-	(see Key No. 32)	1
	-	30047528-365 (-75 to 32° F)	30047528-841 (451 to 750° F)	-	2
	-	30047528-854 (-150 to -76° F)	-	-	2

**Key No. 4 – Gasket – Body/Bonnet and Upper/Lower Bonnets – Valve sizes 1-1/2" and 2"**

Body Material	Gasket Location	Plain Bonnet	Insulating Column	Radiating Fin
Cast Steel	Body/Bonnet	30065919-859	30065919-859	30065919-841
	Upper/Lower Bonnets	-	30047528-859	30047528-841
S. S.	Body/Bonnet	30065919-365	30065919-854 (-150 to -76° F)	30065919-841
		-	30065919-365 (-75 to 32° F)	-
	Upper/Lower Bonnets	-	30047528-854 (-150 to -76° F)	30047528-841
		-	30047528-365 (-75 to 32° F)	-

# Nor' East

## 1/2" – 2" 1400 Series Single Seated Low Flow Globe Valves

### Key No. 5 – Bonnet Subassembly (including Studs)

#### Threaded Packing Adjustment – 9/16" Travel - Valve sizes 1/2", 3/4" and 1"

Body Material	Plug Characteristics	Plain Bonnet	Insulating Column or Radiating Fin	Bellows Seal
Cast Iron	= % V-Port	30673378-002	30673378-002	30673390-001
	Contour	30673378-001	30673378-002	30673390-001
Cast Steel	= % V-Port	30673379-004	30673379-004	30673390-001
	Contour	30673379-001	30673379-004	30673390-001
S. S.	= % V-Port	30673379-005	30673379-005	30673390-002
	Contour	30673379-002	30673379-005	30673390-002

#### Threaded Packing Adjustment – 9/16" Travel - Valve sizes 1-1/2" and 2"

Body Material	Plain Bonnet	Insulating Column or Radiating Fin
Cast Steel	30673369-001	30673379-004
S. S.	30673369-002	30673379-005

#### Threaded Packing Adjustment – 1/4" Travel – (05 Actuator)

Body Material	Plug Characteristics	Plain Bonnet	Insulating Column or Radiating Fin	Bellows Seal
Cast Iron	Contour	30673378-002	30673378-002	30673390-001
Cast Steel	Contour	30673379-004	30673379-004	30673390-001
S. S.	Contour	30673379-005	30673397-005	30673390-002

#### Bolted Packing Adjustment – 9/16" Travel - Valve sizes 1/2", 3/4" and 1"

Body Material	Plug Characteristics	Plain Bonnet	Insulating Column or Radiating Fin	Bellows Seal
Cast Iron	= % V-Port	30672889-002	30672889-002	30672933-001
	Contour	30672889-001	30672889-002	30672933-001
Cast Steel	= % V-Port	30672890-004	30672890-004	30672933-001
	Contour	30672890-001	30672890-004	30672933-001
S. S.	= % V-Port	30672890-005	30672890-005	30672933-002
	Contour	30672890-002	30672890-005	30672933-002

#### Bolted Packing Adjustment – 9/16" Travel - Valve sizes 1-1/2" and 2"

Body Material	Plain Bonnet	Insulating Column or Radiating Fin
Cast Steel	30672880-001	30672890-004
S. S.	30672880-002	30672890-005

#### Bolted Packing Adjustment – 1/4" Travel – (05 Actuator)

Body Material	Plug Characteristics	Plain Bonnet	Insulating Column or Radiating Fin	Bellows Seal
Cast Iron	Contour	30672889-002	30672889-002	30672933-001
Cast Steel	Contour	30672890-004	30672890-004	30672933-001
S. S.	Contour	30672890-005	30672890-005	30672933-002



**1/2" – 2" 1400 Series Single Seated Low Flow Globe Valves**

**Key No. 5 – Bonnet Subassembly (including Studs)  
Threaded Packing Adjustment – 9/16" Travel - Valve sizes 1/2", 3/4" and 1"**

Body Material	Plug Characteristics	Plain Bonnet	Insulating Column or Radiating Fin	Bellows Seal
Cast Iron	= % V-Port	30673378-002	30673378-002	30673390-001
	Contour	30673378-001	30673378-002	30673390-001
Cast Steel	= % V-Port	30673379-004	30673379-004	30673390-001
	Contour	30673379-001	30673379-004	30673390-001
S. S.	= % V-Port	30673379-005	30673379-005	30673390-002
	Contour	30673379-002	30673379-005	30673390-002

**Threaded Packing Adjustment – 9/16" Travel - Valve sizes 1-1/2" and 2"**

Body Material	Plain Bonnet	Insulating Column or Radiating Fin
Cast Steel	30673369-001	30673379-004
S. S.	30673369-002	30673379-005

**Threaded Packing Adjustment – 1/4" Travel – (05 Actuator)**

Body Material	Plug Characteristics	Plain Bonnet	Insulating Column or Radiating Fin	Bellows Seal
Cast Iron	Contour	30673378-002	30673378-002	30673390-001
Cast Steel	Contour	30673379-004	30673379-004	30673390-001
S. S.	Contour	30673379-005	30673397-005	30673390-002

**Bolted Packing Adjustment – 9/16" Travel - Valve sizes 1/2", 3/4" and 1"**

Body Material	Plug Characteristics	Plain Bonnet	Insulating Column or Radiating Fin	Bellows Seal
Cast Iron	= % V-Port	30672889-002	30672889-002	30672933-001
	Contour	30672889-001	30672889-002	30672933-001
Cast Steel	= % V-Port	30672890-004	30672890-004	30672933-001
	Contour	30672890-001	30672890-004	30672933-001
S. S.	= % V-Port	30672890-005	30672890-005	30672933-002
	Contour	30672890-002	30672890-005	30672933-002

**Bolted Packing Adjustment – 9/16" Travel - Valve sizes 1-1/2" and 2"**

Body Material	Plain Bonnet	Insulating Column or Radiating Fin
Cast Steel	30672880-001	30672890-004
S. S.	30672880-002	30672890-005

**Bolted Packing Adjustment – 1/4" Travel – (05 Actuator)**

Body Material	Plug Characteristics	Plain Bonnet	Insulating Column or Radiating Fin	Bellows Seal
Cast Iron	Contour	30672889-002	30672889-002	30672933-001
Cast Steel	Contour	30672890-004	30672890-004	30672933-001
S. S.	Contour	30672890-005	30672890-005	30672933-002

# Nor' East

## 1/2" – 2" 1400 Series Single Seated Low Flow Globe Valves

Key No. 6 – Nut – Body and/or Bonnet – Valve sizes 1/2", 3/4" and 1"				
Plain Bonnet	Insulating Column	Insulating Column S.S. Body only	Radiating Fin or Bellows Seal	Bellows Seal S.S. Body (-50 to 32° F)
30020119-272 Qty 4	30020119-272 Qty 8	30020119-267 Qty 8	30020119-272 Qty 8	30020119-267 Qty 8

Key No. 6 – Nut – Body or Bonnet – Valve sizes 1-1/2" and 2"			
Nut	Plain Bonnet	Insulating Column or Radiating Fin	Insulating Column S.S. Body only
Body	30020234-272 Qty 4	30020234-272 Qty 4	30020234-267 Qty 4
Bonnet	-	30020119-272 Qty 4	30020119-267 Qty 4

Key No. 7 – Stud – Body			
Valve Size	Body Material		
	Cast Steel	S. S. (-150 to -21° F)	S. S. (-20 to 750° F)
1/2", 3/4" and 1"	30048900-271 Qty 4	30048900-268 Qty 4	30048900-271 Qty 4
1-1/2" and 2"	30007237-271 Qty 4	30007237-268 Qty 4	30007237-271 Qty 4

Key No. 8 – Teflon Spacer - Threaded Packing Adjustment	
Packing Type	
Teflon Graphite	Shredded Teflon
30035031-854 Qty 1	30035031-854 Qty 5

### Key No. 9 – Washer

30078905-000

Key No. 10 – Threaded Packing Adjustment		
Valve Size	Plain Bonnet	Insulating Column or Radiating Fin
1/2", 3/4" and 1"	30048907-316	30048908-316
1-1/2" and 2"	30745429-001	30745430-001

### Key No. 11 – Packing Retaining Ring

30047519-316

Key No. 12 – Teflon Packing - Threaded Packing Adjustment		
Packing Type		
Teflon Graphite	Spring-Loaded Teflon V-ring Packing *	Shredded Teflon
30035107-840 Qty 4	30065395-936	30035032-844 Qty 4

\* Lubricate the inner and outer diameter before assembly.

### Key No.13 – Nameplate

30048895-457

**1/2" – 2" 1400 Series Single Seated Low Flow Globe Valves**

**Key No. 14 – Screw**

30021923-322 (Qty 3)
-------------------------

**Key No. 15 – Guide Bushing (used with Contour Plug)**

Body Material		
Cast Iron	Cast Steel	S. S.
30047527-431	30047527-431	30047527-383

**Key No. 16 – Pug – Stainless Steel - 9/16" Travel**

Valve Size/Cv	Plain Bonnet Insulating Column Bellows Seal (-150 to 450° F)			Radiating Fin Bellows Seal (450 to 750° F)		
	Equal % V-Port	Linear Contour	Equal % Contour	Equal % V-Port	Linear Contour	Equal % Contour
1/2", 3/4" & 1"						
0.25	30048962-313	-	-	30049258-313	-	-
0.63	30048961-313	30048960-316	30068698-001	30049257-313	30048999-316	30685698-003
1.6	30048959-313	30048958-316	30048957-316	30048998-313	30048997-316	30048996-316
2.5	-	-	30685693-001	-	-	30685693-003
4.0	30048956-313	30048955-316	30048954-316	30048988-316	30048987-316	-
6.3	30048965-313	-	30685699-001	30048986-313	-	30685699-003
8.0	-	30048964-316	30048963-313	-	30048985-316	30048979-316
11.0	-	30048974-316	30049329-316	-	30048978-316	30049330-316

**Key No. 16 – Pug – Stainless Steel - 9/16" Travel**

Valve Size/Cv		Plain Bonnet Insulating Column Bellows Seal (-150 to 450° F)		Radiating Fin Bellows Seal (450 to 750° F)	
1-1/2"	2"	Linear Contour	Equal % Contour	Linear Contour	Equal % Contour
1.6	1.6	30048958-316	30048957-316	30048997-316	30048996-316
4.0	4.0	30048955-316	30048954-316	30048988-316	30038987-316
8.0	10.0, 10.8	-	30685699-001	-	30685699-003
9.9, 10.0	9.6, 10.5	30048964-316	-	30048985-316	-
12.1, 13.7	12.7, 13.5	-	30745384-001	-	30745450-001
13.7, 14.2	14.6, 16.0	30745383-001	-	30745451-001	-

NOTE: Sizes 1-1/2" and 2" use the same plug.

**Key No. 16 – Pug – Stainless Steel –  
1/4" Travel (05 Actautor only)**

Cv	Linear Contour
0.01	30685695-001
0.025	30048950-316
0.063	30048949-316
0.16	30048948-316
0.4	30048947-316
1.0	30048946-316

# Nor' East

## 1/2" – 2" 1400 Series Single Seated Low Flow Globe Valves

### Key No. 16 – Pug and Stem Subassembly – Stellite Trim - 9/16" Travel

Valve Size/Cv	Plain Bonnet			Insulating Column or Radiating Fin		
	Equal % V-Port	Linear Contour	Equal % Contour	Equal % V-Port	Linear Contour	Equal % Contour
0.25	30049299-327	-	-	30049319-327	-	-
0.63	30049298-327	30049297-327	30685697-001	30049318-327	30049317-327	30049314-327
1.6	30049289-327	30049288-327	30049287-327	30049316-327	30049315-327	30049314-327
2.5	-	-	30685692-001	-	-	30685828-001
4.0	30049279-327	30049278-327	30049277-327	30049313-327	30049312-327	30049311-327
6.3	30049269-327	-	30685700-001	30049310-327	-	30685827-001
8.0	-	30049268-327	30049267-327	-	30049309-327	30049308-327
11.0	-	30049259-327	30049331-327	-	30049307-327	30049332-327

### Key No. 16 – Pug and Stem Subassembly – Stellite Trim - 9/16" Travel

Valve Size/Cv		Plain Bonnet		Insulating Column or Radiating Fin	
1-1/2"	2"	Linear Contour	Equal % Contour	Linear Contour	Equal % Contour
1.6	1.6	30049288-327	30049287-327	30049315-327	30049314-327
4.0	4.0	30049278-327	30049277-327	30049312-327	30049311-327
8.0, 10.0	8.0, 10.0, 10.8	-	30685700-001	-	30685827-001
9.9, 10.0	9.6, 10.5	30049268-327	-	30049309-327	-
13.0, 13.8	13.5, 14.7	30049259-327	-	30049307-327	-
12.1, 13.7	12.7, 13.5	-	30735652-001	-	30735653-001
13.7, 14.2	14.6, 16.0	30735650-001	-	30735651-001	-

### Key No. 16 – Pug and Stem Subassembly – Stellite Trim 1/4" Travel (05 Actuator only)

Cv	Linear Contour
0.01	30685696-001
0.01	30686918-001
0.063	30686917-001
0.16	30686916-001
0.4	30686915-001
1.0	30686914-001

### Key No. 17 – Cap Screw

Plain Bonnet	Insulating Column or Bellows Seal
30007662-264 Qty 4	30007662-264 Qty 8

### Key No. 18 – Packing – with Lubricator

Packing Type	
Teflon Graphite	Laminated Graphite (Grafoil)
30035107-840 Qty 8	30035107-127 Qty 8

**Key No. 19 – Yoke Lock Nut**

30036962-392
--------------

**Key No. 20 – Packing Follower**

30032998-316
--------------

**Key No. 21 – Packing Flange Nut**

30032523-272 Qty 2
-----------------------

**Key No. 22 – Packing Flange Stud**

30037325-271 Qty 2
-----------------------

**Key No. 23 – Stem – Bolted Packing Adjustment**

Plain Bonnet	Insulating Column or Radiating Fin
30048901-316	30048902-316

**Key No. 24 – Packing Flange**

30036959-392
--------------

**Key No. 25 – Packing Lubricator**

30065700-235
--------------

**Key No. 26 – Lubricant – Box of 24 Sticks**

Temperature Range °F			
	From	To	Color
30027608-147	20	125	White
*30686485-001	-40	400	White
30044008-555	-10	500	Brown
30027616-755	30	300	Pink
30044009-860	-75	130	Red
30043038-921	60	650	White

\* Supplied in individual tubes

**Key No. 27 – Lantern Ring**

30032997-316
--------------

**Key No. 28 – Bonnet Stud**

Body Material			
Cast Steel	S. S. with Extension Bonnet (451 to 750° F)	S. S. with Bellows Seal (33 to 750° F)	S. S.
30048900-271 Qty 4	30048900-271 Qty 4	30048900-271 Qty 4	30048900-268 Qty 4

# Nor' East

## 1/2" – 2" 1400 Series Single Seated Low Flow Globe Valves

### Key No. 29 – Bonnet Extension Subassembly - Valve sizes 1/2", 3/4" and 1"

Body Material	Plug Characteristics	Radiating Fin Bonnet	Insulating Column Bonnet
Cast Iron	= % V-Port	-	30673393-002
	Contour	-	30673393-001
Cast Steel	= % V-Port	30673394-003	30673394-003
	Contour	30673394-001	30673394-001
S. S.	= % V-Port	30673394-004	30673394-006
	Contour	30673394-002	30673394-005

### Key No. 29 – Bonnet Extension Subassembly - Valve sizes 1-1/2" and 2"

Body Material	Insulating Column	Radiating Fin
Cast Steel	30672908-011	30672908-011
S. S.	30672908-012	30672908-013

### Key No. 30 – Bushing

Body Material		
Cast Iron	Cast Steel	S. S.
30048917-276	30048917-276	30048917-316

### Key No. 31 – Pipe Plug

Body Material	Plain, Insulating or Radiating Fin Bonnet	Bellows Seal Bonnet
Cast Iron	30041447-264	30020117-264
Cast Steel	30041447-264	30020117-264
S. S.	30041447-322	30020117-322

### Key No. 32 – Gasket – Body and Bellows Seal

Body Material	Cast Steel and S. S.	
Temperature Span	(-50 to 450° F)	(451 to 750° F)
	30047528-365 Qty 3	30069000-333 Qty 3

### Key No. 33 – Bellows Subassembly

Threaded Packing Adjustment	Bolted Packing Adjustment 9/16" Travel	Bolted Packing Adjustment 1/4" Travel
30048909-910	30048903-910	30049327-910

### Key No. 34 – Anti-Spin Pin

30049484-322
--------------

### Key No. 35 – Bellows Seal Gasket

Cast Iron Body
30047528-365 Qty 2

**1/2" – 2" 1400 Series Single Seated Low Flow Globe Valves**

**Key No. 36 – Bellows Seal Bonnet Subassembly\***

Plug Characteristics	Threaded Packing Adjustment			Bolted Packing Adjustment		
	Cast Iron	Cast Steel	S. S.	Cast Iron	Cast Steel	S. S.
= % V-Port	30673392-002	30673394-003	30673394-006	30673392-002	30673394-003	30673394-006
Contour	30673392-001	30673394-001	30673394-005	30673392-001	30673394-001	30673394-005
Contour (33 to 450°F)	-	-	30673394-002	-	-	-
= % V-Port (451 to 750°F)	-	-	30673394-004	-	-	-
= % V-Port (33 to 450°F)	-	-	-	-	-	30673394-004
Contour (33 to 750°F)	-	-	-	-	-	30673394-002

\* Subassembly includes Bushing, Key No. 30; Bonnet Studs, Key No. 28 and Guide Bushing for Contour Plugs, Key No. 15.

**Key No. 37 – Spring Seat**

	Body Material		
	Cast Iron	Cast Steel	S. S.
Upper	30049325-107	30049325-107	30049325-303
Lower	30041086-107	30041086-107	30041086-303

**Key No. 38 – Spring**

30041084-218
--------------

**Key No. 39 – O-Ring\***

30685440-026
--------------

\* Lubricate the inner and outer diameter before assembly.

# Nor' East

## 1/2" – 2" 1400 Series Single Seated Low Flow Globe Valves

---

### Guarantee

Products, auxiliaries and parts thereof, of Nor'East Controls' manufacture, are guaranteed for a period of one year from the date of shipment against defective workmanship and material only, when properly installed, operated and serviced in accordance with Nor'East Controls' recommendations. Replacement for items of Nor'East Controls' manufacture will be made free of charge if proved to be defective within such time. No claim for special or consequential damages, transportation, or labor shall be allowed. Purchaser shall be solely responsible for determining suitability for use and in no event shall Nor'East Controls be liable in this respect. Equipment or parts manufactured by others but furnished by Nor'East Controls will be repaired or replaced, only to the extent provided in the original manufacturer's warranty to Nor'East Controls. Nor'East Controls does not guarantee resistance to corrosion, erosion, abrasion or other sources of failure, nor does Nor'East Controls guarantee a minimum length of service. Failure of the purchaser to give prompt written notice of any alleged defect under this guarantee forthwith upon its discovery, or use and possession thereof after an attempt has been made and completed by someone other than Nor'East Controls or an authorized representative to remedy defects therein, or failure to return products or parts for replacement as herein provided, of failure to install, operate, and maintain said products or parts according to instructions provided by Nor'East Controls, of failure to pay the entire contract price when due, shall be a waiver of all rights under these representations.

The foregoing guarantee shall be null and void, if, after shipment from our factory, the item is modified in any way or component of another manufacturer, such as but not limited to; an actuator is attached to the item by valves & controls other than a Nor'East Controls

Factory Service Personnel. All orders accepted shall be deemed accepted subject to this guarantee, which shall be exclusive of any other previous guarantee, and this shall be the only effective guarantee or warranty binding on Nor'East Controls, anything to the contrary contained in the purchase order, or represented by any agent or employee of Nor'East Controls, in writing or otherwise, notwithstanding, including but not limited to implied warranties.

THE FOREGOING OBLIGATIONS ARE IN LIEU OF ALL OTHER OBLIGATIONS AND LIABILITIES INCLUDING WARRANTIES OF FITNESS OR MERCHANTABILITY OR OTHERWISE, EXPRESSED OR IMPLIED IN FACT OR BY LAW, AND STATE NOR'EAST CONTROLS AND EXCLUSIVE LIABILITY AND PURCHASER'S EXCLUSIVE REMEDY FOR ANY CLAIM IN CONNECTION WITH THIS SALE OR FURNISHING OF SERVICES, GOODS, OR PARTS, THEIR OWN DESIGN, SUITABILITY FOR USE, INSTALLATION OR OPERATION.

### Limitation of Liability

In no event shall Nor'East Controls be liable for any direct, indirect, special or consequential damages whatsoever, and Nor'East Controls' liability, under no circumstances, will exceed the contract price for the goods and/or services for which liability is claimed. Any action for breach of contract must be commenced within 1 year after the cause of the action has occurred.

1000 Riverside Street, Portland, Maine 04103  
Ph: 207-781-8831 Fax: 207-781-8830

### Sales and Service

Nor' East Controls representatives are located in major cities throughout the world.  
For the name of the representative nearest you, contact:

**Web site:** [www.allagashinternational.com](http://www.allagashinternational.com)    **E-Mail:** [sales@allagashinternational.com](mailto:sales@allagashinternational.com)

Nor' East reserves the right to incorporate our latest design and material changes without notice or obligation. Design features, materials of construction and dimensional data, as described in this bulletin, are provided for your information only and should not be relied upon unless confirmed in writing by Nor' East Controls. Certified drawings are available upon request.