

Bulletin
782.05-3NE
January 2016

NOR'EAST™

CONTROLS



SINGLE SEATED VALVES

SERIES 8200 MODEL 8205



Previously manufactured by
Dezurik® and Honeywell®

Description:

The model 8205 valve combines a light duty, Brass valve with a pneumatic actuator for a low-maintenance and high performance service. The spring-type actuator provides either direct or reverse action as specified.

Accessories:

- Top-mounted handwheel (direct-acting only)
- Side-mounted positioners
- Actuator start-pressure to be set anywhere between 3 and 10 psig, while span may be set at 3, 6, or 12 psig.
- Micro Switch precision switches
- Solenoids
- Air sets

SPECIFICATIONS

Actuator

Type	Pneumatic, diaphragm-actuated type 05. Direct or reverse acting with non-reversible body.
Construction	Cast aluminum diaphragm cases and yoke.
Diaphragm Material	Molded of flexible Neoprene and convoluted to retain a constant effective area through the total stroke. Ambient temperature range of -29° to 71°C (-21° to -160°F).
Effective Diaphragm Material	Direct acting: 40 in ² (258 cm ²) Reverse acting: 38 in ² (245 cm ²)
Actuator Stem	Zinc-plated steel.
Spring	Totally enclosed and corrosion resistant. Ranges: 3 to 15 psig standard. (For other ranges, see Table 2)
Air Pressure (Air-to-diaphragm)	Normal: 18 or 26 psig (124 or 172 kPa). Maximum: 35 psig (241 kPa) for reverse acting, 50 psig (345 kPa) for direct acting.
Air Connections	1/4" NPT.

Body

Type	Single-seated, straight-through. Non-reversible.
Material	Brass
Sizes	Screwed end: 1/2, 3/4, 1 1/4, 1 1/2 and 2 inch.
Ratings	150 psi

SPECIFICATIONS

Bonnet

Type	Plain: For process temperatures between: 40° and 250°F (4.4 and 121°C) with brass trim 40° and 377°F (4.4 and 169°C) with stainless steel trim
Packing	Spring-loaded, carbon fiber reinforced PTFE V-rings.

Trim

Material	Brass for water or stainless steel for steam.
Characteristic	Equal % contoured (brass), modified linear (stainless steel).
Seat Rings	Screwed into body, replaceable.
Valve Travel	3/4 inch (19mm).
Leakage	Maximum allowable leakage under factory testing is 0.01% of rated Cv.
Sizing Data	(see Tables 1 and 2)
Dimensions	(see Table 3 and Figure 2)

ORDERING DATA

Please Specify:

- Valve Model 8205
- Size
- Spring Range
- Trim material
- Air-to-Open or Air-to-Close
- Accessories

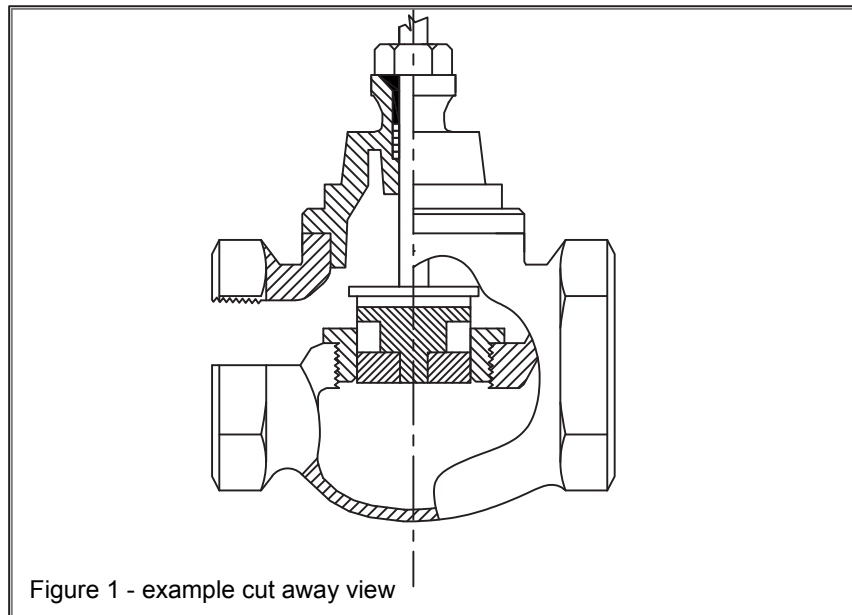


Table 1 - Flow Coefficient Cv

Valve Size (inches)					
1/2	3/4	1	1 1/4	1 1/2	2
1.85 or 4.7	7.3	11.7	18.7	29.3	46.8

Table 2 - Maximum Pressure Differential in Closed Position * Brass trim is limited to 50 psi.

Air-to-Close							
Air Supply Psig.	Spring Range psig.	Valve Size (inches)					
		1/2	3/4	1	1 1/4	1 1/2	2
18	3 - 15	100	100	100	55	35	15
	9 - 15	100	100	100	55	35	15
	3 - 9	100	100	100	100	100	90
25	3 - 15	100	100	100	100	100	100
	9 - 15	100	100	100	100	100	100
	3 - 9	100	100	100	100	100	100
Air-to-Open							
18	3 - 15	100	100	100	55	35	15
	3 - 9	100	100	100	55	35	15
	9 - 15	100	100	100	100	100	90

Table 3 - Dimensions

Valve Size	A	B	C
1/2	3-1/4" (83mm)	12-7/8" (327mm)	1-9/16" (40mm)
3/4	3-1/4" (83mm)	12-7/8" (327mm)	1-9/16" (40mm)
1	4-1/16" (103mm)	12-7/8" (327mm)	1-9/16" (40mm)
1 1/4	4-3/16" (106mm)	12-7/8" (327mm)	1-9/16" (40mm)
1 1/2	4-3/4" (120mm)	13-1/8" (333mm)	1-13/16" (47mm)
2	5-1/4" (134mm)	13-1/8" (333mm)	1-13/16" (47mm)

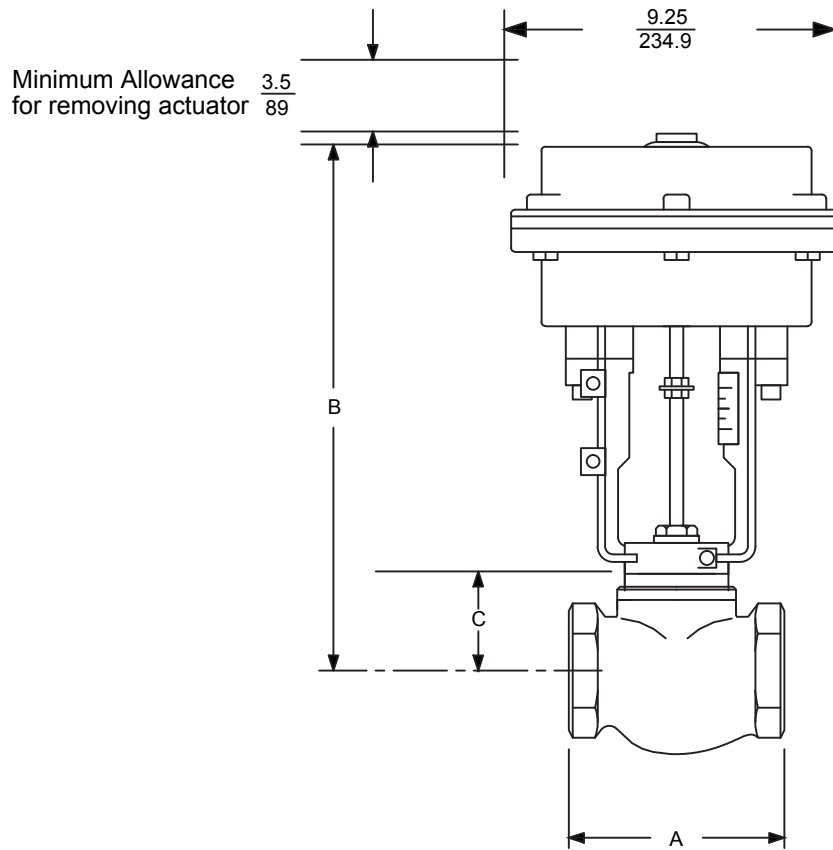


Figure 2

*Add additional 1.25" (33 mm) to actuator overall with reverse acting actuator

NOTES:

NOTES:

Guarantee

Products, auxiliaries and parts thereof, of Allagash International Group, LLC, a manufacturer of Nor' East Controls, are guaranteed for a period of one year from the date of shipment against defective workmanship and material only, when properly installed, operated and serviced in accordance with Allagash International Group, LLC recommendations. Replacement for items of Allagash International Group, LLC manufacture will be made free of charge if proved to be defective within such time. No claim for special or consequential damages, transportation, or labor shall be allowed. Purchaser shall be solely responsible for determining suitability for use and in no event shall Allagash International Group, LLC be liable in this respect. Equipment or parts manufactured by others but furnished by Allagash International Group, LLC will be repaired or replaced, only to the extent provided in the original manufacturer's warranty to Allagash International Group, LLC. Allagash International Group, LLC does not guarantee resistance to corrosion, erosion, abrasion or other sources of failure, nor does Allagash International Group, LLC guarantee a minimum length of service. Failure of the purchaser to give prompt written notice of any alleged defect under this guarantee forthwith upon its discovery, or use and possession thereof after an attempt has been made and completed by someone other than Allagash International Group, LLC or an authorized representative to remedy defects therein, or failure to return products or parts for replacement as herein provided, of failure to install, operate, and maintain said products or parts according to instructions provided by Allagash International Group, LLC, of failure to pay the entire contract price when due, shall be a waiver of all rights under these representations.

The foregoing guarantee shall be null and void, if, after shipment from our factory, the item is modified in any way or component of another manufacturer, such as but not limited to; an actuator is attached to the item by valves & controls other than a Allagash International Group, LLC.

Factory Service Personnel. All orders accepted shall be deemed accepted subject to this guarantee, which shall be exclusive of any other previous guarantee, and this shall be the only effective guarantee or warranty binding on Allagash International Group, LLC, anything to the contrary contained in the purchase order, or represented by any agent or employee of Allagash International Group, LLC, in writing or otherwise, notwithstanding, including but not limited to implied warranties.

THE FOREGOING OBLIGATIONS ARE IN LIEU OF ALL OTHER OBLIGATIONS AND LIABILITIES INCLUDING WARRANTIES OF FITNESS OR MERCHANTABILITY OR OTHERWISE, EXPRESSED OR IMPLIED IN FACT OR BY LAW, AND STATE NOR'EAST CONTROLS AND EXCLUSIVE LIABILITY AND PURCHASER'S EXCLUSIVE REMEDY FOR ANY CLAIM IN CONNECTION WITH THIS SALE OR FURNISHING OF SERVICES, GOODS, OR PARTS, THEIR OWN DESIGN, SUITABILITY FOR USE, INSTALLATION OR OPERATION.

Limitation of Liability

In no event shall Allagash International Group, LLC, a Manufacturer of Nor' East Controls be liable for any direct, indirect, special or consequential damages whatsoever, and Allagash International Group, LLC liability, under no circumstances, will exceed the contract price for the goods and/or services for which liability is claimed. Any action for breach of contract must be commenced within 1 year after the cause of the action has occurred.



70 Ingersoll Drive, Portland ME 04103 . phone 207-781-8831 . fax 207-781-8830

ALLAGASHINTERNATIONAL.COM

Sales and Service

Allagash International Group, LLC representatives are located in major cities throughout the world. For the name of the representative nearest you, email us: sales@allagashinternational.com

Allagash International, Group LLC reserves the right to incorporate our latest design and material changes without notice or obligation. Design features, materials of construction and dimensional data, as described in this bulletin, are provided for your information only and should not be relied upon unless confirmed in writing by Allagash International, Group LLC. Certified drawings are available upon request.