

Figure 1 – Lever Model

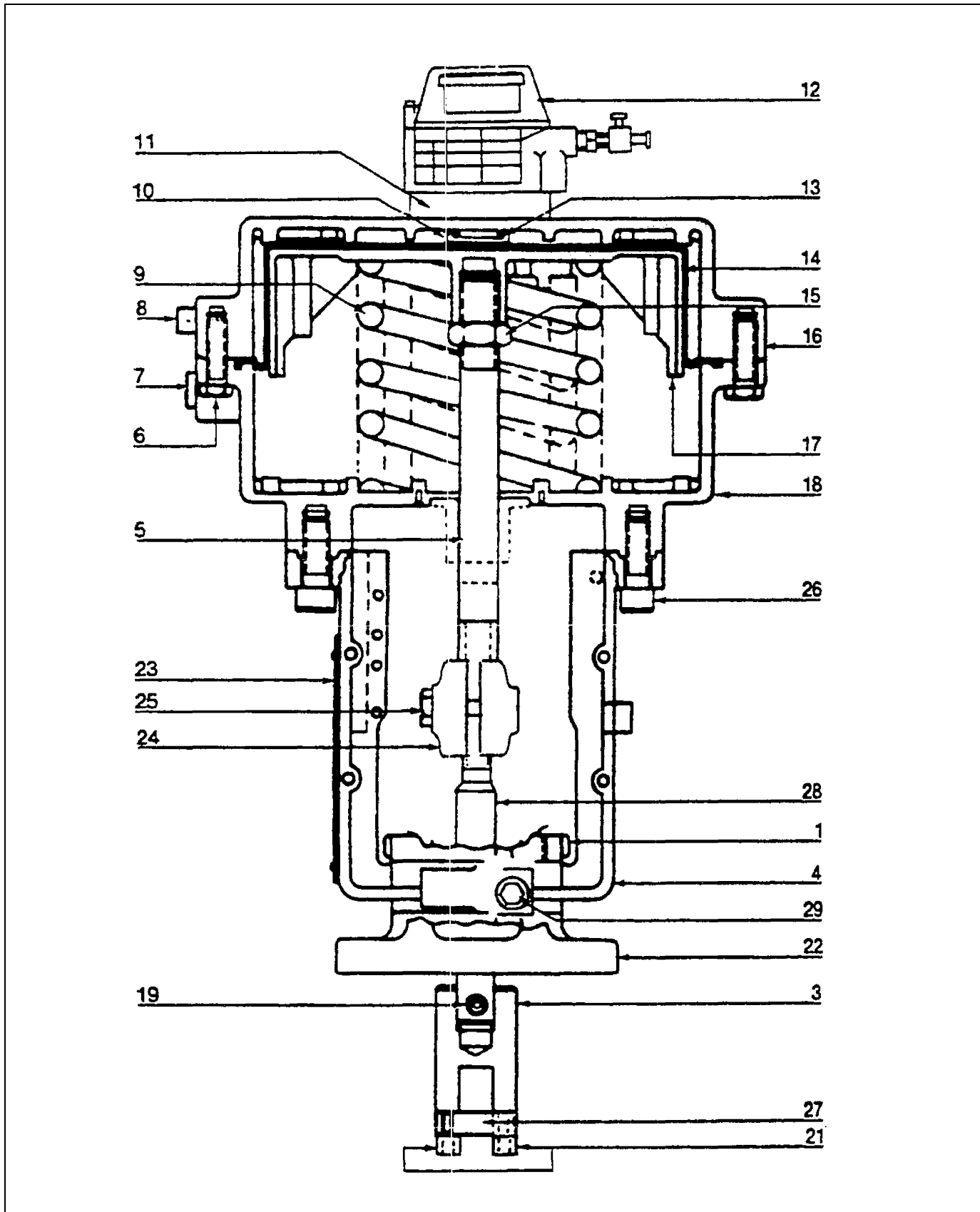


Figure 2 – Thrust Model

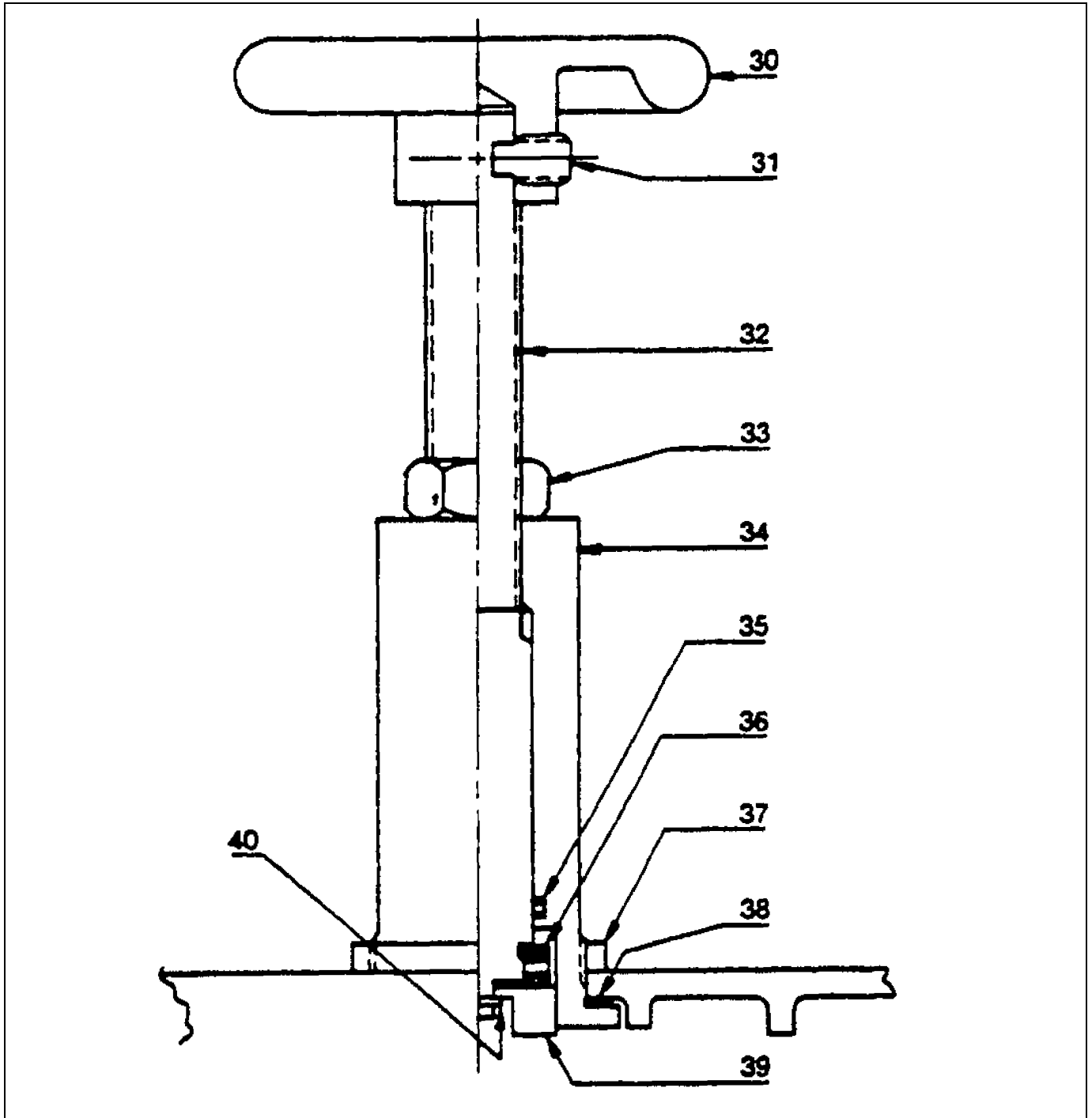


Figure 3 – Top Mounted Handwheel

**Note: Positioner tags for
3, 5 or 10 psi spans**

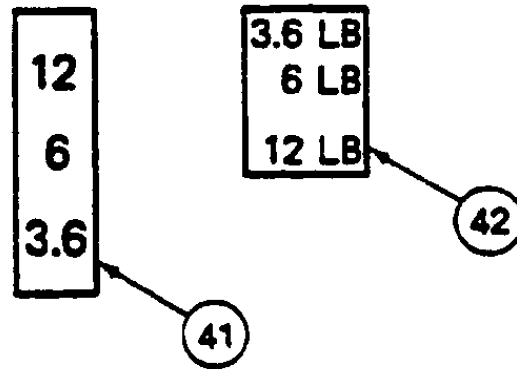


Figure 4 – Gradutrol Positioner Tags

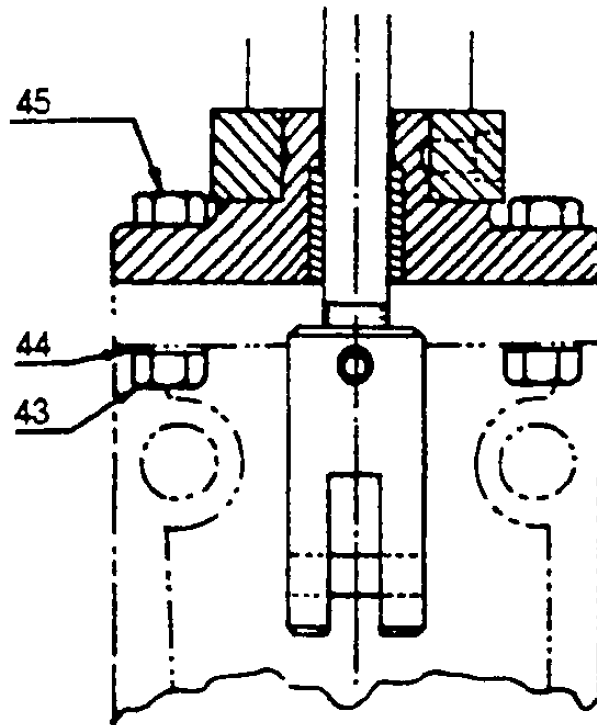


Figure 5 – Wall Mounting Kit

Nor' East
SPARE PARTS - TYPE 05 PNEUMATIC ACTUATOR

Key No	Part Number	Description	Qty
1	30036962-392	Locknut	1
2	30046501-285	Pin (lever models)	1
3		Clevis	
	30067601-193	Lever Type	1
	30049034-193	Thrust Type	1
4		Yoke	
	30067435-460	Lever Type	1
	30067434-460	Thrust Type	1
5	30067437-193	Actuator Stem	1
6	30020167-264	Screw, Diaphragm Case	6
7	30067457-188	Cap	1
8	30066636-322	Pipe Plug	1
9		Actuator Spring	
		Range (psi)	
		3-15 30067376-279	5-13 30067381-279
10	30067447-430	Spring Seat – Gradutrol Positioner	1
11	30067444-196	O-ring	1
12	30067446-450	Gradutrol Positioner	
13		Spring – Gradutrol Positioner	
		PSI Span	
		3, 6, 6, 12 30049408-122	3, 5, 10 30068857-122
14	30067438-890	Diaphragm – Neoprene	1
15	30020134-264	Locknut	1
16		Upper Diaphragm Case	
	30067428-460	W/O Gradutrol Positioner or TMH	1
	30067429-460	W/ Gradutrol Positioner or TMH	
17	30067432-460	Diaphragm Plate	1
18	30067430-460	Lower Diaphragm Case	1
19	30028081-264	Set Screw	1
20	30046517-001	Lower Subassembly – includes Hub 20-B, Bearing 20-C, & Lever 20-A	1
20-A	30046505-001	Lever	1
20-B	30046503-266	Hub	1
20-C	30046498-450	Bearing	4
21	30020236-264	Set Screw	2
22		Mounting Bracket	
	30046506-200	Lever Type	1
	30049384-000	Thrust Type	
23	30064967-457	Nameplate	1
24	30069251-749	Stem Clamp	1

Nor' East

SPARE PARTS - TYPE 05 PNEUMATIC ACTUATOR

Key No	Part Number	Description	Qty
25	30008104-264	Screw	2
26	30067474-264	Screw – Yoke	2
27	30046502-285	Pin	1
28	30672965-001	Stem Extension	1
29	30029105-264	Screw	1
30	30067450-750	Handwheel	1
31	30067455-264	Screw	1
32	30067448-107	Manual Operator Stem	1
33	30045928-322	Nut	1
34	30067451-193	Housing	1
35	30067440-196	O-ring	1
36	30067452-450	Bearing	1
37	30067456-412	Nut	1
38	30067441-196	O-ring	1
39	30067453-193	Stem Head	1
40	30067454-264	Snap Ring	1
41	30064647-458	Tag – start point – (supplied with Gradutrol Positioner)	1
42	30064648-458	Tag – range adjuster – (supplied with Gradutrol Positioner)	1
43	30020234-264	Nut	4
44	30020456-026	Washer	4
45	30026201-264	Screw	4
46	30049037-200	Mounting Bracket for Wall Mounting	1

Guarantee

Products, auxiliaries and parts thereof, of Nor'East Controls' manufacture, are guaranteed for a period of one year from the date of shipment against defective workmanship and material only, when properly installed, operated and serviced in accordance with Nor'East Controls' recommendations. Replacement for items of Nor'East Controls' manufacture will be made free of charge if proved to be defective within such time. No claim for special or consequential damages, transportation, or labor shall be allowed. Purchaser shall be solely responsible for determining suitability for use and in no event shall Nor'East Controls be liable in this respect. Equipment or parts manufactured by others but furnished by Nor'East Controls will be repaired or replaced, only to the extent provided in the original manufacturer's warranty to Nor'East Controls. Nor'East Controls does not guarantee resistance to corrosion, erosion, abrasion or other sources of failure, nor does Nor'East Controls guarantee a minimum length of service. Failure of the purchaser to give prompt written notice of any alleged defect under this guarantee forthwith upon its discovery, or use and possession thereof after an attempt has been made and completed by someone other than Nor'East Controls or an authorized representative to remedy defects therein, or failure to return products or parts for replacement as herein provided, of failure to install, operate, and maintain said products or parts according to instructions provided by Nor'East Controls, of failure to pay the entire contract price when due, shall be a waiver of all rights under these representations.

The foregoing guarantee shall be null and void, if, after shipment from our factory, the item is modified in any way or component of another manufacturer, such as but not limited to; an actuator is attached to the item by valves & controls other than a Nor'East Controls Factory Service Personnel. All orders accepted shall be deemed accepted subject to this guarantee, which shall be exclusive of any other previous guarantee, and this shall be the only effective guarantee or warranty binding on Nor'East Controls, anything to the contrary contained in the purchase order, or represented by any agent or employee of Nor'East Controls, in writing or otherwise, notwithstanding, including but not limited to implied warranties.

THE FOREGOING OBLIGATIONS ARE IN LIEU OF ALL OTHER OBLIGATIONS AND LIABILITIES INCLUDING WARRANTIES OF FITNESS OR MERCHANTABILITY OR OTHERWISE, EXPRESSED OR IMPLIED IN FACT OR BY LAW, AND STATE NOR'EAST CONTROLS AND EXCLUSIVE LIABILITY AND PURCHASER'S EXCLUSIVE REMEDY FOR ANY CLAIM IN CONNECTION WITH THIS SALE OR FURNISHING OF SERVICES, GOODS, OR PARTS, THEIR OWN DESIGN, SUITABILITY FOR USE, INSTALLATION OR OPERATION.

Limitation of Liability

In no event shall Nor'East Controls be liable for any direct, indirect, special or consequential damages whatsoever, and Nor'East Controls' liability, under no circumstances, will exceed the contract price for the goods and/or services for which liability is claimed. Any action for breach of contract must be commenced within 1 year after the cause of the action has occurred.

1000 Riverside Street, Portland, Maine 04103 Ph: 207-210-6633 Fax: 207-210-6634

Sales and Service

Nor' East Controls representatives are located in major cities throughout the world.
For the name of the representative nearest you, contact:

Web site:www.allagashinternational.com **E-Mail:**sales@allagashinternational.com

Nor' East reserves the right to incorporate our latest design and material changes without notice or obligation. Design features, materials of construction and dimensional data, as described in this bulletin, are provided for your information only and should not be relied upon unless confirmed in writing by Nor' East Controls. Certified drawings are available upon request.