

Instruction  
SP-Type05P-1NE  
December 2010

# NOR'EAST

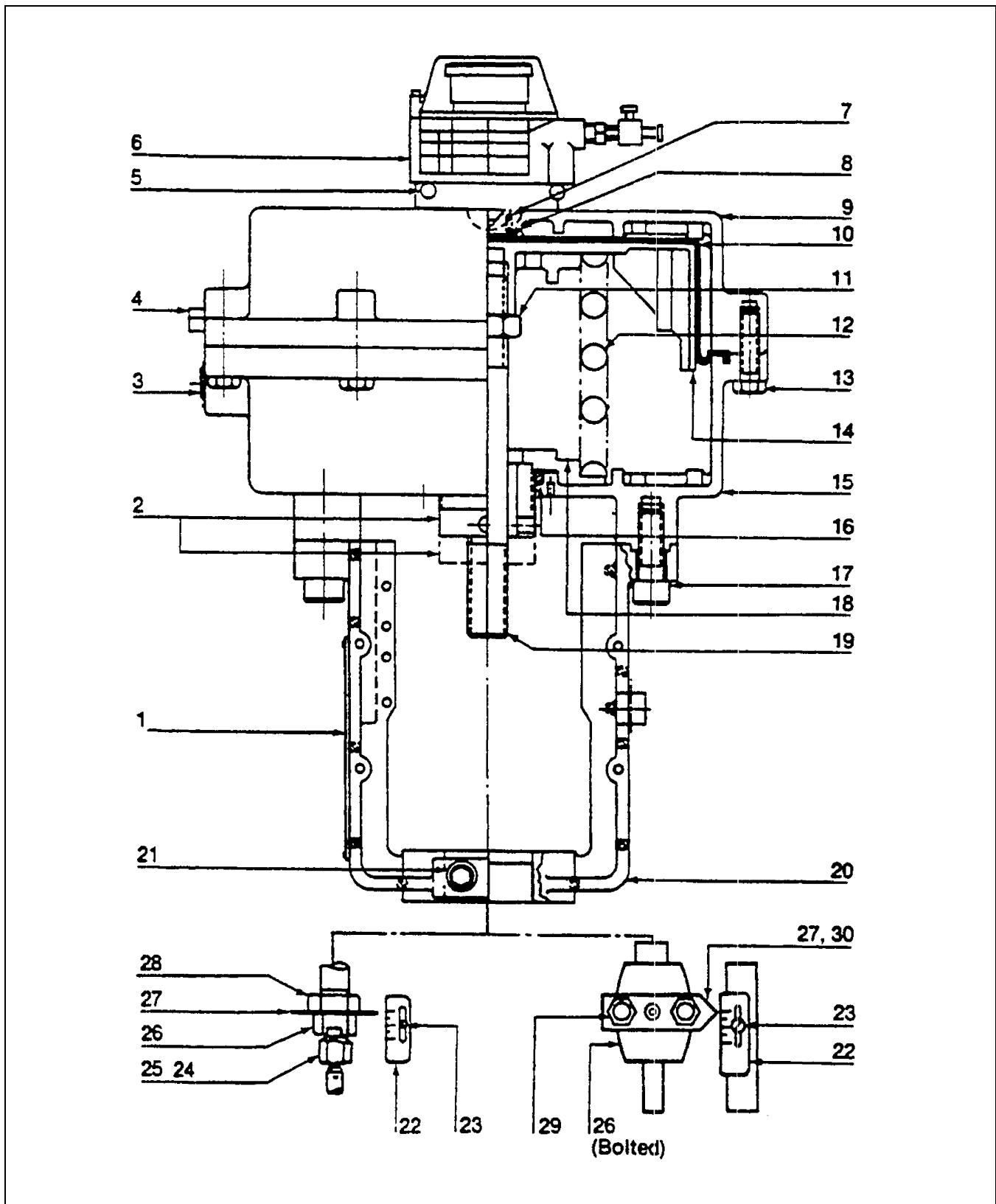
— CONTROLS, INC.  
A DIVISION OF ALLGASH INTERNATIONAL, INC.



## Spare Parts

TYPE 05 PNEUMATIC ACTUATOR,  
FUW GLOBE VALVES

Previously manufactured by Dezurik® and Honeywell®



**Figure 1 – Direct Acting Actuator**

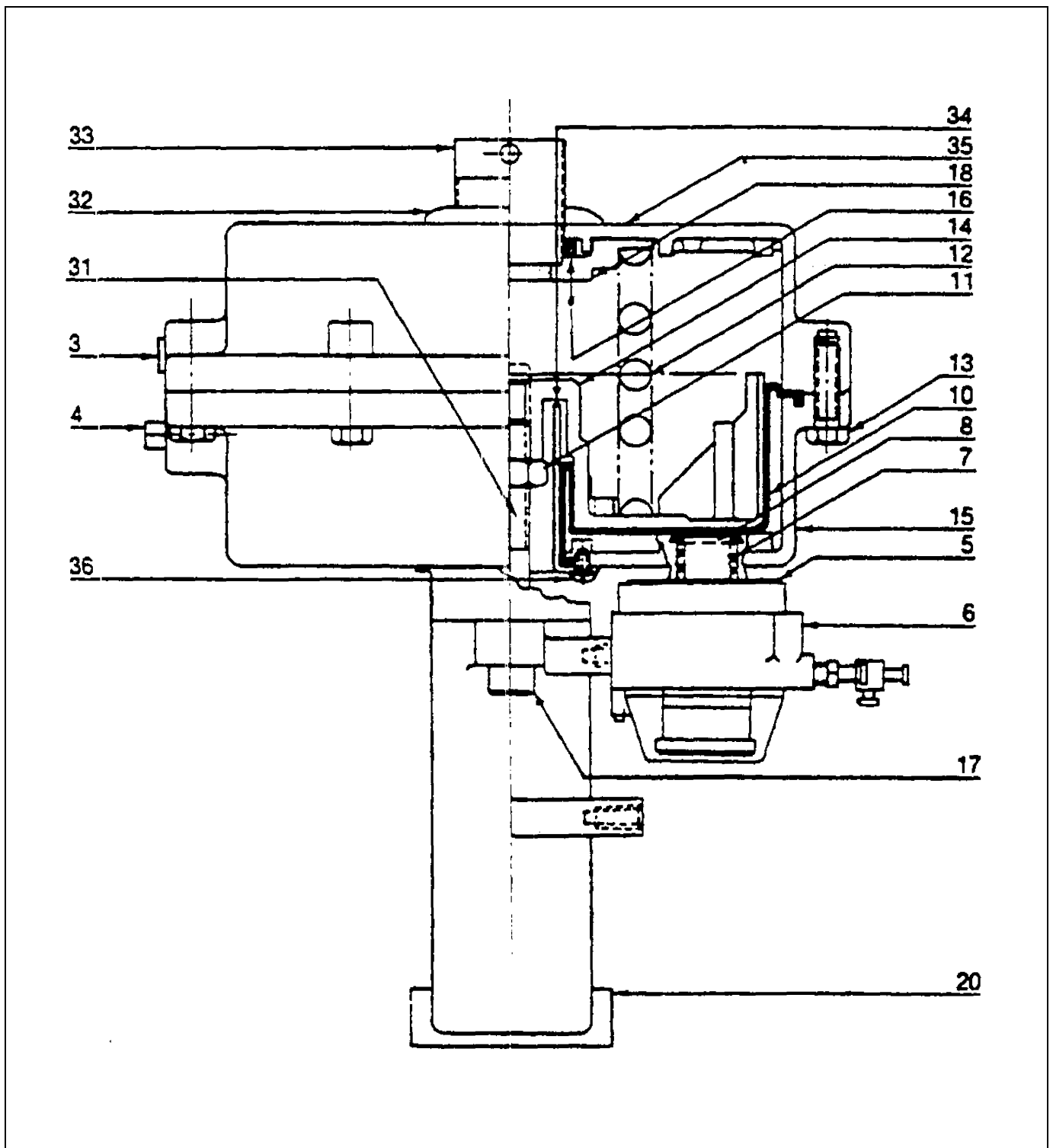
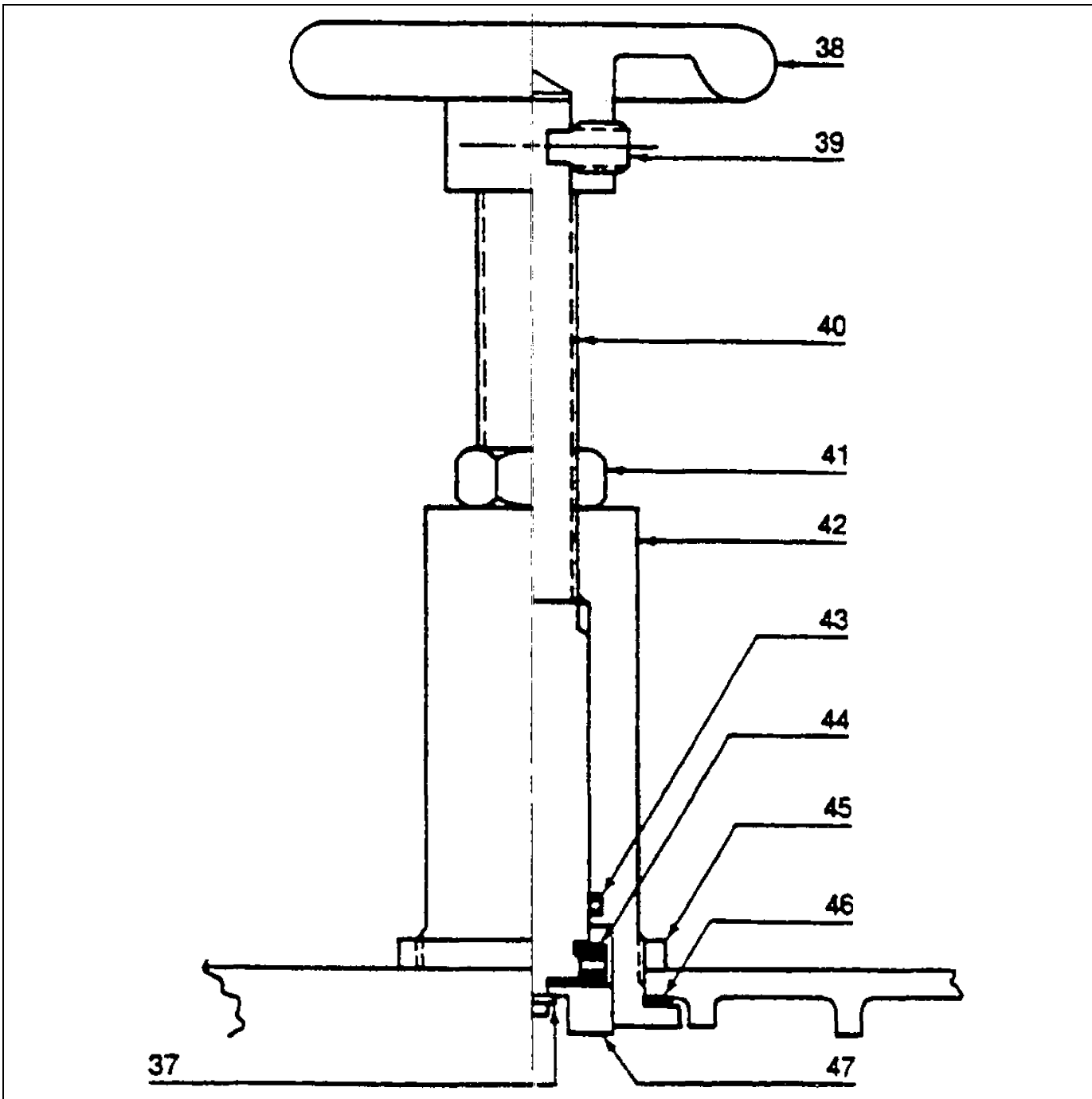


Figure 2 – Reverse Acting Actuator



**Figure 3 – Top Mounted Handwheel**

<b>Key No. 1 – Nameplate</b>
30032696-457

<b>Key No. 2 – Spring Adjuster</b>		
<b>Travel</b>	<b>1-1/8" or less</b>	<b>9/16" and 3/4", 9-15 psi range</b>
	30067458-193	30067462-193

<b>Key No. 3 – Cap</b>
30067457-188

<b>Key No. 4 – Pipe Plug</b>
30066636-322

<b>Key No. 5 – O-ring</b>
30067444-196

<b>Key No. 6 – Gradutrol Positioner</b>
30067446-450

<b>Key No. 7 – Positioner Spring</b>						
<b>Travel - psi Span</b>	<b>9/16"</b>	<b>3/4"</b>	<b>1"</b>	<b>1-1/8"</b>	<b>1-1/4"</b>	<b>1-1/2"</b>
3,6,6,12	30064558-122	30065525-122	30067369-122	30068878-122	30067370-218	30069408-122
3,5,10	-	30068858-122	-	-	-	30068857-122

<b>Key No. 8 – Positioner Spring Seat</b>
30067447-460

<b>Key No. 9 – Upper Diaphragm case</b>	
<b>w/o Positioner or Handwheel</b>	<b>w/ Positioner or Handwheel</b>
30067428-460	30067429-460

<b>Key No. 10 – Neoprene Diaphragm</b>	
<b>Direct Acting</b>	<b>Reverse Acting</b>
30067438-890	30067439-890

<b>Key No. 11 – Locknut</b>
30020134-264

# Nor' East

## SPARE PARTS - Type 05 Pneumatic Actuator

Key No. 12 – Actuator Spring					
Travel - Range psi	3-15	3-9	9-15	5-10.5	6-25
9/16"	30067372-279	30067375-279	30067375-279	-	-
3/4"	30067373-279	30067378-279	30067378-279	-	-
3/4" Reverse	-	-	30068173-279	-	-
1"	30067374-279	-	-	30067381-279	30067382-279 and 30067383-279
1-1/8"	30067375-279	-	-	-	-
1-1/4"	30067463-279	For 6-30 psi range 30067382-279 and 30067383-279			
1-1/2"	30067376-279	For 5-13 psi range 30067381-279			
1-1/2" Reverse	For 7-18 psi range 30067381-279 and 30684341-001				

Key No. 13 – Screw Diaphragm	
30020167-264	Qty 6

Key No. 14 – Diaphragm Plate	
Direct Acting	Reverse Acting
30067432-460	30067433-460

Key No. 15 – Diaphragm Case - Lower		
Direct Acting	Reverse Acting w/o Positioner	Reverse Acting w/Positioner
30067430-460	30067430-460	30067431-460

Key No. 16 – Spring Adjuster Nut (for 1-1/8" travel and smaller)	
30067456-412	Qty 2

Key No. 17 – Yoke Screw	
30068207-001	Qty 2

Key No. 18 – Spring Seat (for 1-1/8" travel and smaller)	
30067459-412	

Key No. 19 – Packing Adjustment – Direct Acting	
Threaded	Bolted
30067436-193	30067437-193
-	(for 1" travel, 3-15 psi w/positioner use 30067437-193)
-	(for 1-1/2 travel, 3-15 psi or 5-13 use 30067437-193)

<b>Key No. 20 – Yoke</b>	
1-3/8" Spud-Threaded Packing Adjustment	30067434-460
2-1/3" Spud-Bolted Packing Adjustment	30067435-460
1-7/8" Spud-Threaded Packing Adjustment	30069243-460

<b>Key No. 21 – Lock Screw for Yoke Mounting (for Threaded Packing Adjustment only)</b>
30029105-263

<b>Key No. 22 – Travel Indicator</b>				
<b>Travel</b>	<b>1/4"</b>	<b>9/16"</b>	<b>3/4"</b>	<b>1"</b>
Other than Threeway valves	30042148-454	30034948-454	30034949-454	30038158-454
Threeway Valves	-	30047157-454	30037374-454	30069157-454
<b>Travel</b>	<b>1-1/8"</b>	<b>1-1/4"</b>	<b>1-1/2"</b>	
Other than Threeway valves	30032589-454	30032553-454	30032551-454	
Threeway Valves	-	30047178-322	-	

<b>Key No. 23 – Screw</b>
30020106-264

<b>Key No. 24 – Screw for Stem Head</b>
30041091-264

<b>Key No. 25 – Stem Head</b>
30047841-235

<b>Key No. 26 – Stem Connector</b>		
	<b>Valve Stem Thread</b>	
Stem Head type (all threaded packing adjustment valves)	5/8-18	30067443-107
Stem Clamp design (all bolted packing adjustment valves except models 1605 2" & 2-1/2", 9135 2" and 9205 2", 2-1/2", 3" & 4)	3/8-24	30049000-749
Bolted Packing Adjustment valves 1605 2" & 2-1/2", 9135 2" and 9205 2" & 2-1/2"	7/16-20	30067528-749
Bolted Packing Adjustment valves 9205 3" & 4	1/2-20	30069251-749

<b>Key No. 27 – Travel Indicator</b>	
Threaded Packing Adjustment valves (except models 4705 2-1/2" & 3" and 4805 2-1/2" use 30067805-193)	30067445-322
Bolted Packing	30067805-193

# Nor' East

## SPARE PARTS - Type 05 Pneumatic Actuator

---

<b>Key No. 28 – Locknut</b>
-----------------------------

30020134-264
--------------

<b>Key No. 29 – Screw</b>
---------------------------

30008104-264	Qty 2
--------------	-------

<b>Key No. 30 – Screw</b>
---------------------------

30020617-264
--------------

<b>Key No. 31 – Actuator Stem – Reverse Acting</b>
--

30067437-193
--------------

<b>Key No. 32 – Washer</b>
----------------------------

30067460-894
--------------

<b>Key No. 33 – Spring Adjuster – (for 1-1/8" travel and smaller)</b>
---

30067461-193
--------------

<b>Key No. 34 – Retainer</b>
------------------------------

30067442-449
--------------

<b>Key No. 35 – Upper Diaphragm Case – Reverse Acting</b>						
---	--	--	--	--	--	--

Travel - Range psi	3-15	3-9	9-15	5-10.5	6-25	6-30
9/16"	30067429-460	30067429-460	30067429-460	-	-	-
3/4"	30067429-460	30067429-460	30067429-460	-	-	-
1"	30067429-460	-	-	30067428-460	30067428-460	-
1-1/8"	30067429-460	-	-	-	-	-
1-1/4"	30067428-460	-	-	-	-	30067428-460
1-1/2"	30067428-460	Ranges 5-13 psi and 7-18 psi use 30067428-460				

<b>Key No. 36 – Screw – Diaphragm Retainer – Reverse Acting</b>
---

30029027-264	Qty 3
--------------	-------

<b>Key No. 37 – Snap Ring</b>
-------------------------------

30067454-264
--------------

<b>Key No. 38 – Handwheel</b>
-------------------------------

30067450-750
--------------

<b>Key No. 39 – Screw - TMH</b>
---------------------------------



30067455-264
--------------

<b>Key No. 40 – Manual Operator Stem (Direct Acting only)</b>
---

30067448-107
--------------

<b>Key No. 41 – Nut</b>
-------------------------

30045928-322
--------------

<b>Key No. 42 – Housing</b>
-----------------------------

30067451-193
--------------

<b>Key No. 43 – O-ring</b>
----------------------------

30067440-196
--------------

<b>Key No. 44 – Bearing</b>
-----------------------------

30067452-450
--------------

<b>Key No. 45 – Nut</b>
-------------------------

30067456-412
--------------

<b>Key No. 46 – O-ring</b>
----------------------------

30067441-196
--------------

<b>Key No. 47 – Stem Head</b>
-------------------------------

30067453-193
--------------

# Nor' East

## SPARE PARTS - Type 05 Pneumatic Actuator

---

### Guarantee

Products, auxiliaries and parts thereof, of Nor'East Controls' manufacture, are guaranteed for a period of one year from the date of shipment against defective workmanship and material only, when properly installed, operated and serviced in accordance with Nor'East Controls' recommendations. Replacement for items of Nor'East Controls' manufacture will be made free of charge if proved to be defective within such time. No claim for special or consequential damages, transportation, or labor shall be allowed. Purchaser shall be solely responsible for determining suitability for use and in no event shall Nor'East Controls be liable in this respect. Equipment or parts manufactured by others but furnished by Nor'East Controls will be repaired or replaced, only to the extent provided in the original manufacturer's warranty to Nor'East Controls. Nor'East Controls does not guarantee resistance to corrosion, erosion, abrasion or other sources of failure, nor does Nor'East Controls guarantee a minimum length of service. Failure of the purchaser to give prompt written notice of any alleged defect under this guarantee forthwith upon its discovery, or use and possession thereof after an attempt has been made and completed by someone other than Nor'East Controls or an authorized representative to remedy defects therein, or failure to return products or parts for replacement as herein provided, of failure to install, operate, and maintain said products or parts according to instructions provided by Nor'East Controls, of failure to pay the entire contract price when due, shall be a waiver of all rights under these representations.

The foregoing guarantee shall be null and void, if, after shipment from our factory, the item is modified in any way or component of another manufacturer, such as but not limited to; an actuator is attached to the item by valves & controls other than a Nor'East Controls

Factory Service Personnel. All orders accepted shall be deemed accepted subject to this guarantee, which shall be exclusive of any other previous guarantee, and this shall be the only effective guarantee or warranty binding on Nor'East Controls, anything to the contrary contained in the purchase order, or represented by any agent or employee of Nor'East Controls, in writing or otherwise, notwithstanding, including but not limited to implied warranties.

THE FOREGOING OBLIGATIONS ARE IN LIEU OF ALL OTHER OBLIGATIONS AND LIABILITIES INCLUDING WARRANTIES OF FITNESS OR MERCHANTABILITY OR OTHERWISE, EXPRESSED OR IMPLIED IN FACT OR BY LAW, AND STATE NOR'EAST CONTROLS AND EXCLUSIVE LIABILITY AND PURCHASER'S EXCLUSIVE REMEDY FOR ANY CLAIM IN CONNECTION WITH THIS SALE OR FURNISHING OF SERVICES, GOODS, OR PARTS, THEIR OWN DESIGN, SUITABILITY FOR USE, INSTALLATION OR OPERATION.

### Limitation of Liability

In no event shall Nor'East Controls be liable for any direct, indirect, special or consequential damages whatsoever, and Nor'East Controls' liability, under no circumstances, will exceed the contract price for the goods and/or services for which liability is claimed. Any action for breach of contract must be commenced within 1 year after the cause of the action has occurred.

1000 Riverside Street, Portland, Maine 04103 Ph: 207-210-6633 Fax: 207-210-6634

### Sales and Service

Nor' East Controls representatives are located in major cities throughout the world.

For the name of the representative nearest you, contact:

**Web site:**[www.allagashinternational.com](http://www.allagashinternational.com) **E-Mail:**[sales@allagashinternational.com](mailto:sales@allagashinternational.com)

Nor' East reserves the right to incorporate our latest design and material changes without notice or obligation. Design features, materials of construction and dimensional data, as described in this bulletin, are provided for your information only and should not be relied upon unless confirmed in writing by Nor' East Controls. Certified drawings are available upon request.