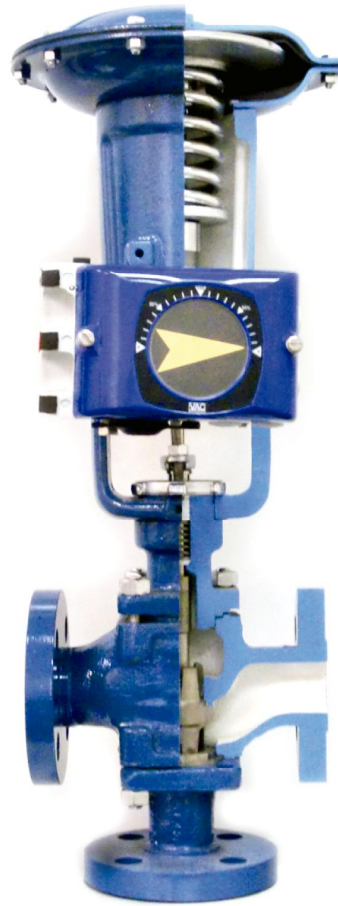


Instruction  
SP-1600-1NE  
December 2010

# NOR'EAST

— CONTROLS, INC.

A DIVISION OF ALLGASH INTERNATIONAL, INC.



## Spare Parts

### SERIES 1600 THREE-WAY, GLOBE VALVES

Previously manufactured by Dezurik® and Honeywell®

# Nor' East

## 1" – 10" 1600 Series Three-Way Globe Valves

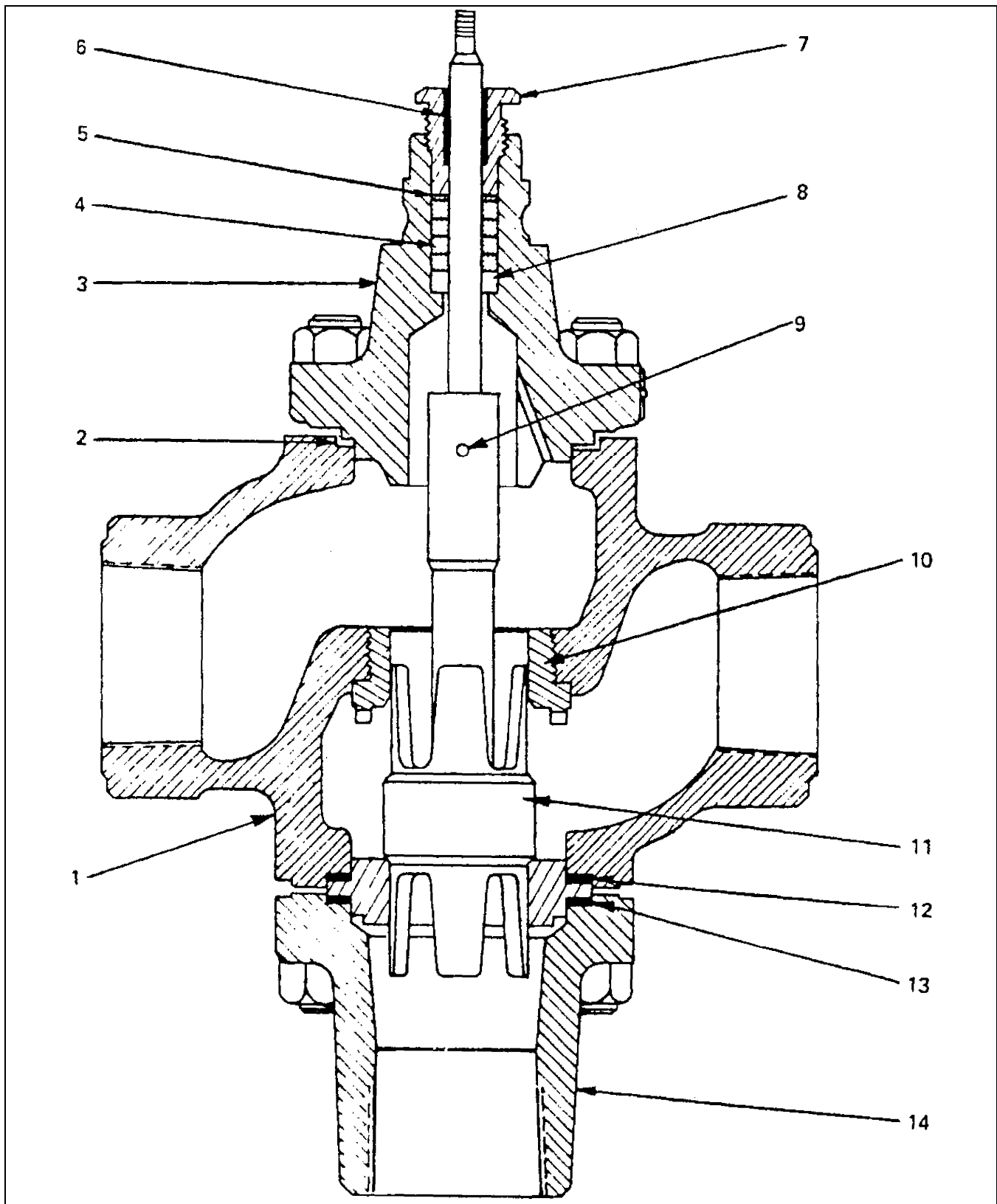


Figure 1: Plain Bonnet with Threaded Packing Adjustment

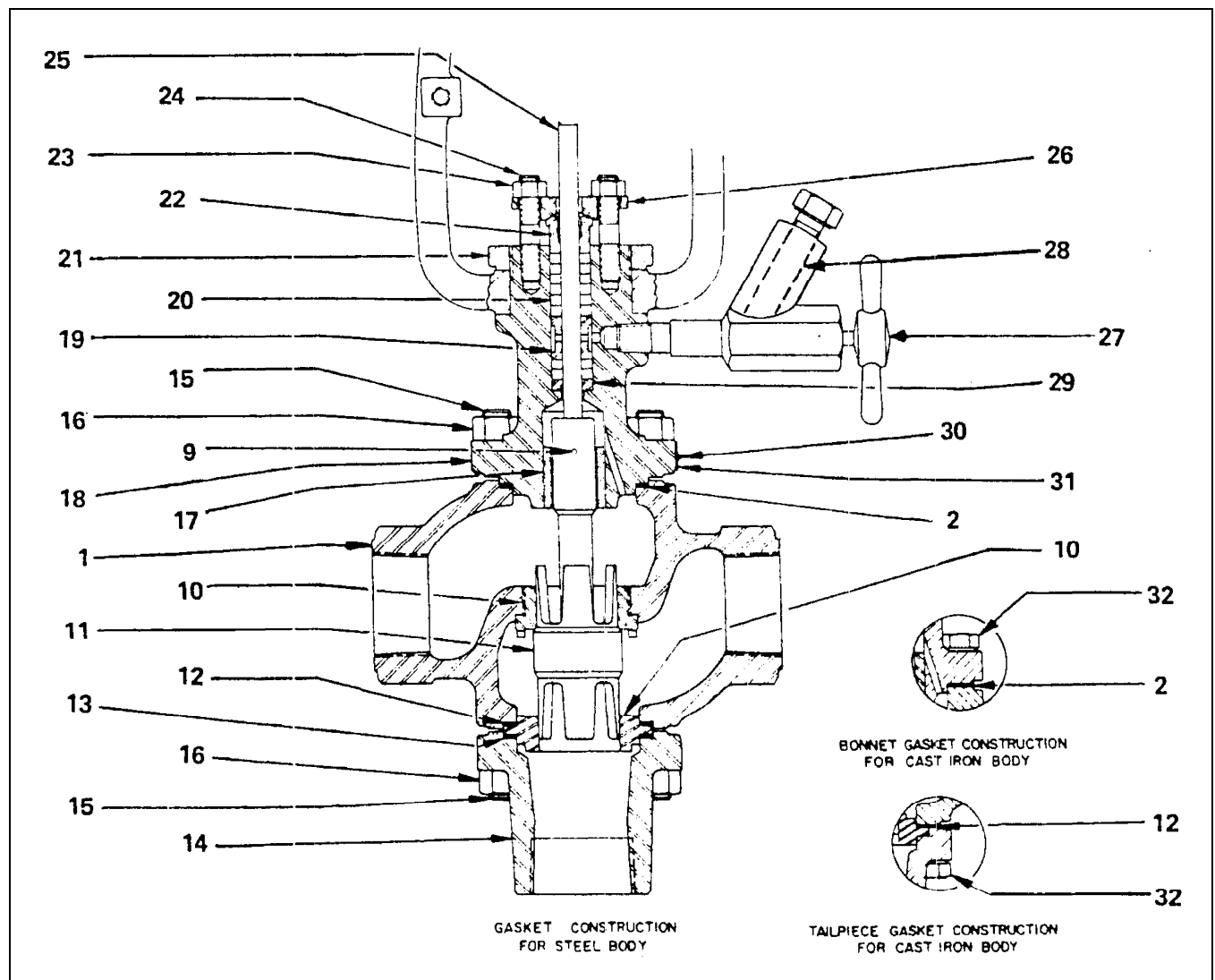
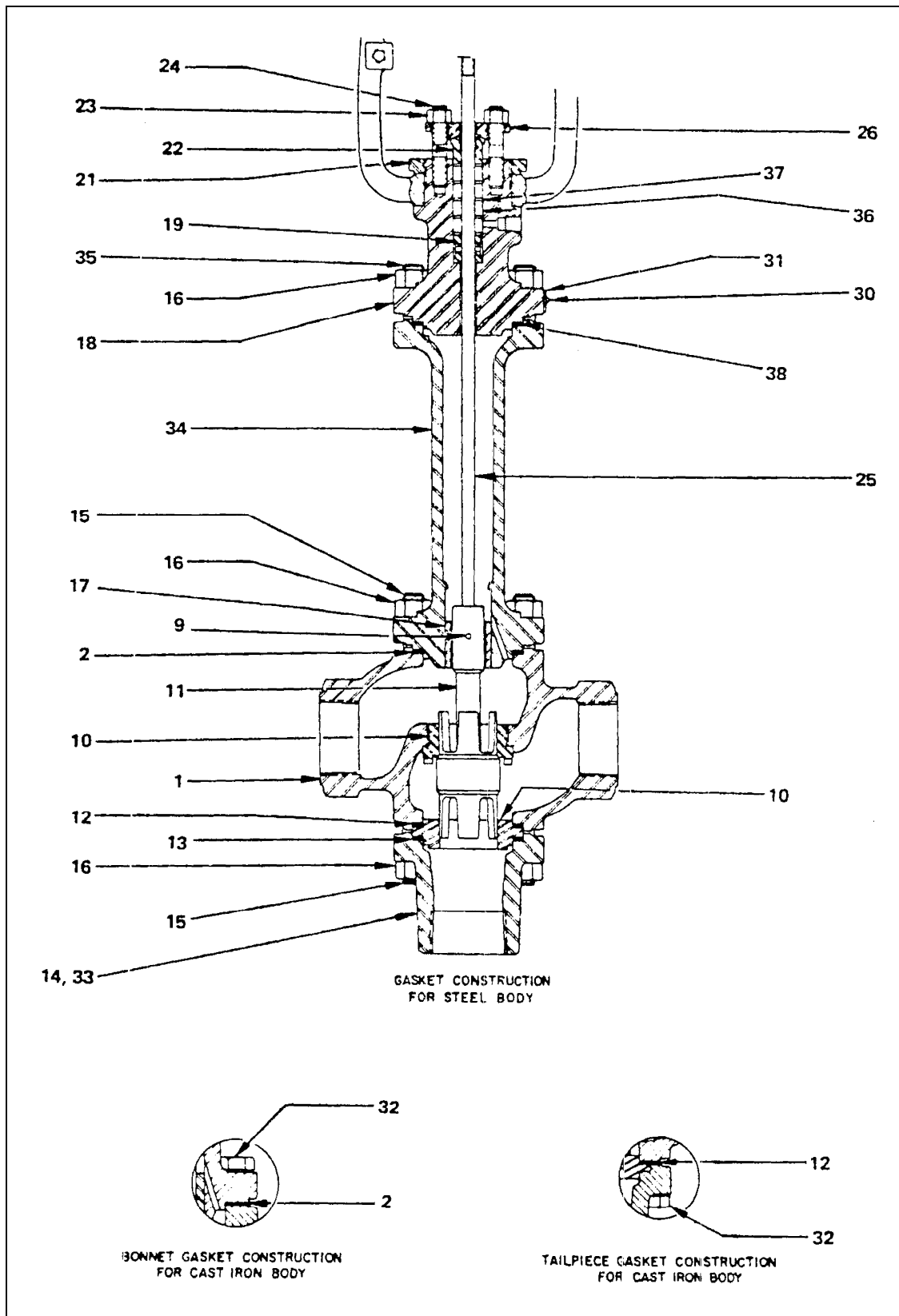


Figure 2: Plain Bonnet with Bolted Packing Adjustment, Sizes 1" thru 2-1/2"



**Figure 3: Extension Column Bonnet with Bolted Packing Adjustment**

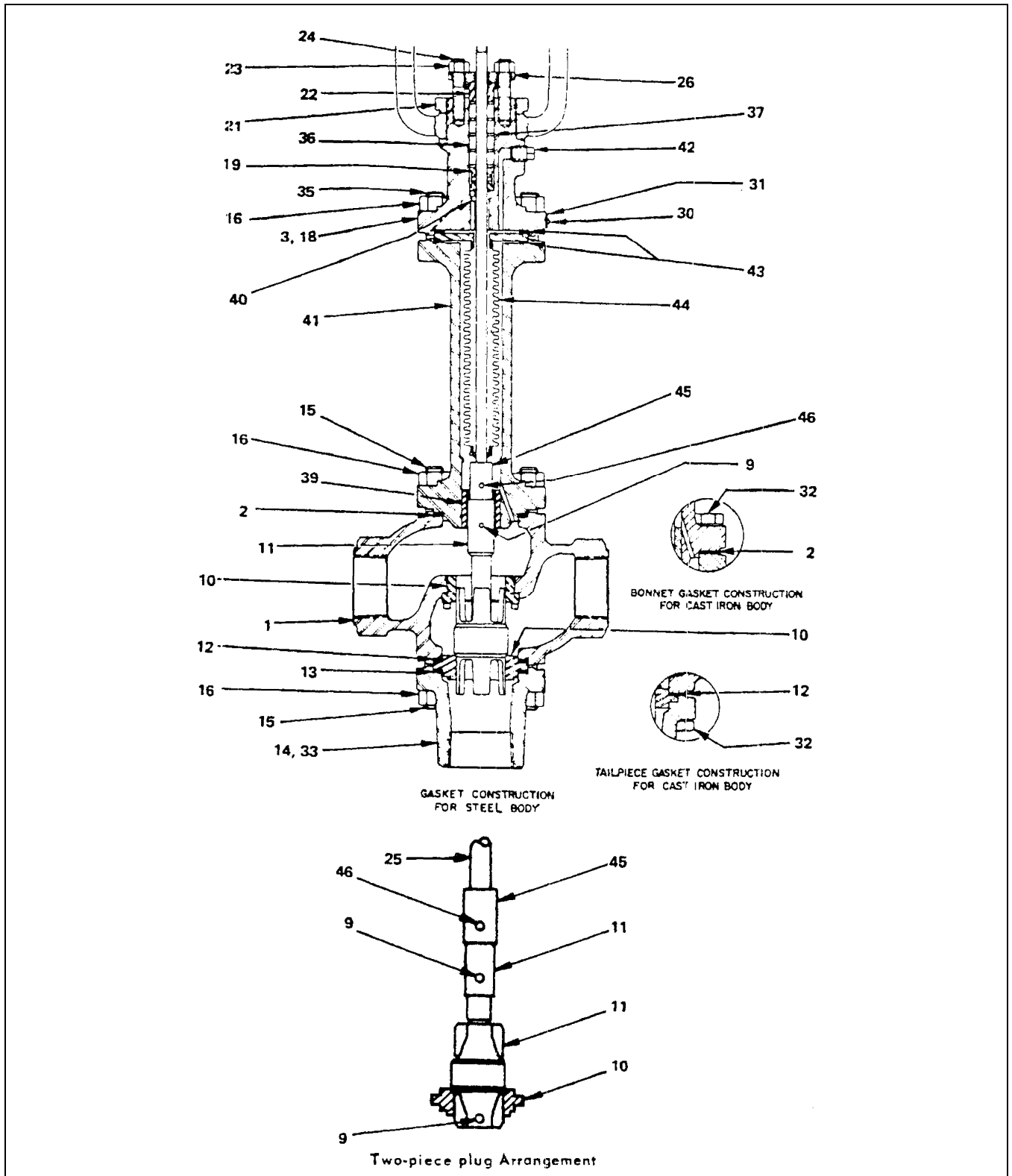
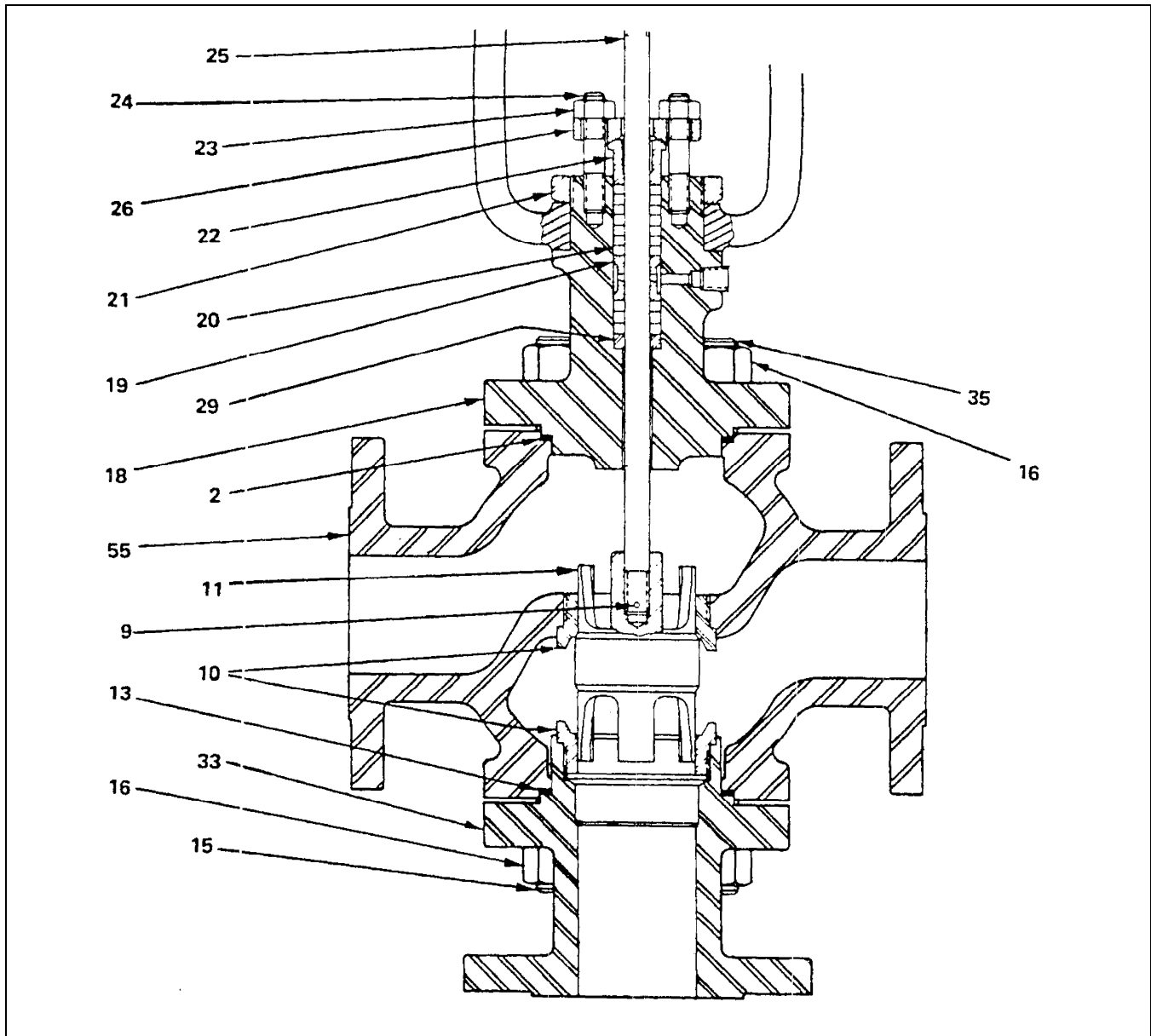
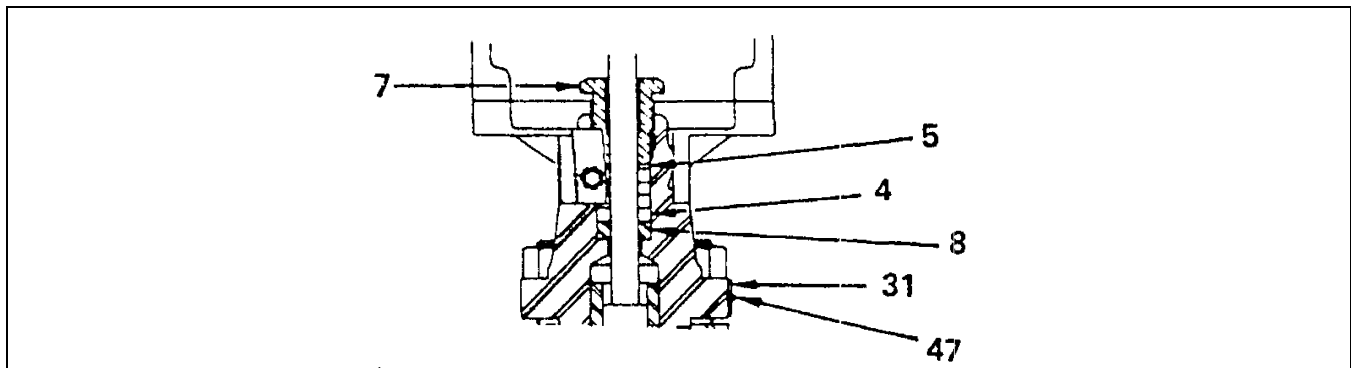


Figure 4: Bellows Seal Bonnet with Bolted Packing Adjustment – One Piece Plug Arrangement



**Figure 5: Plain Bonnet with Bolted Packing Adjustment, Sizes 3" thru 10"**



**Figure 6: Teflon Graphite Packing, Threaded Packing Adjustment, Sizes 1" thru 2-1/2"**

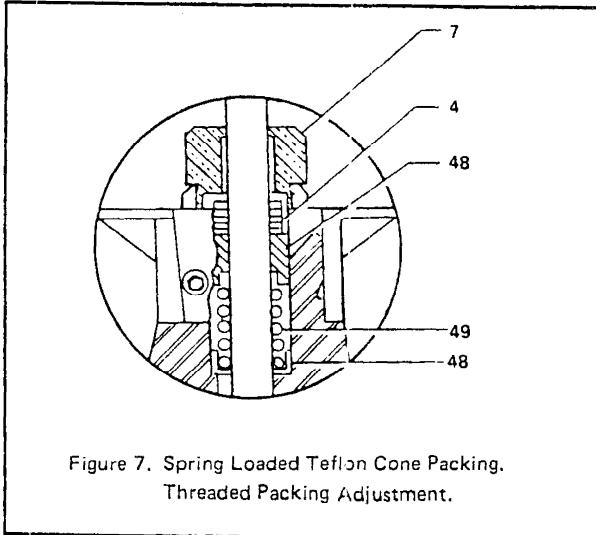


Figure 7. Spring Loaded Teflon Cone Packing. Threaded Packing Adjustment.

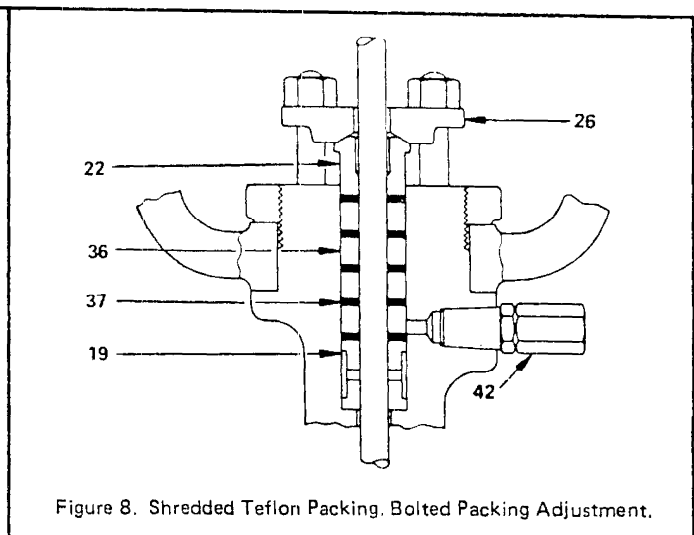


Figure 8. Shredded Teflon Packing. Bolted Packing Adjustment.

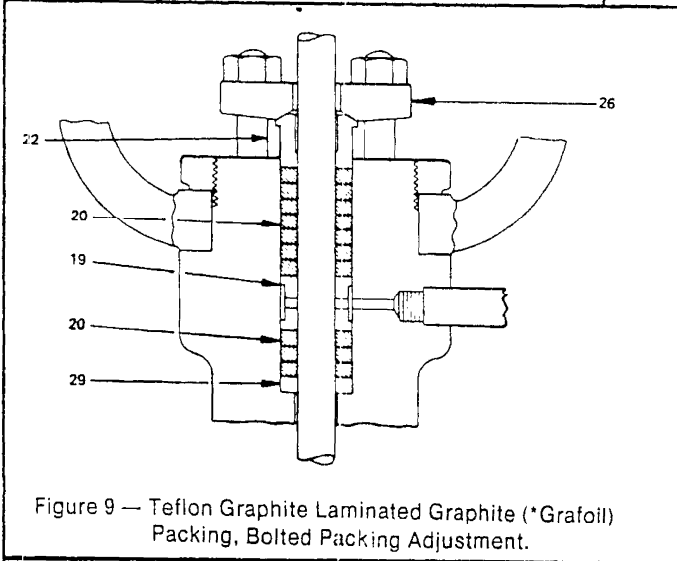


Figure 9 — Teflon Graphite Laminated Graphite (\*Grafoil) Packing, Bolted Packing Adjustment.

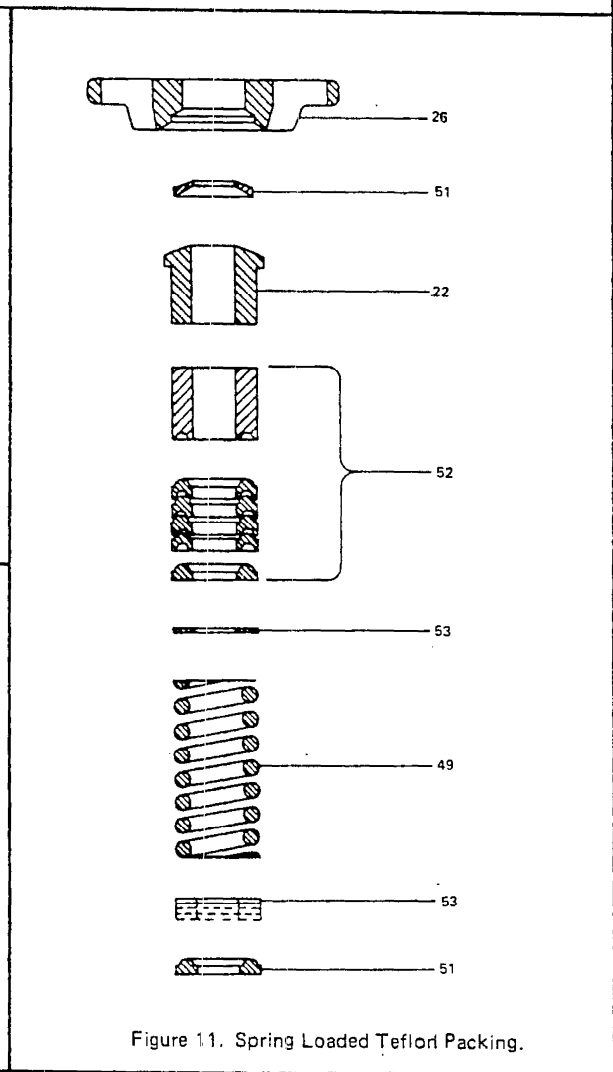


Figure 11. Spring Loaded Teflon Packing.

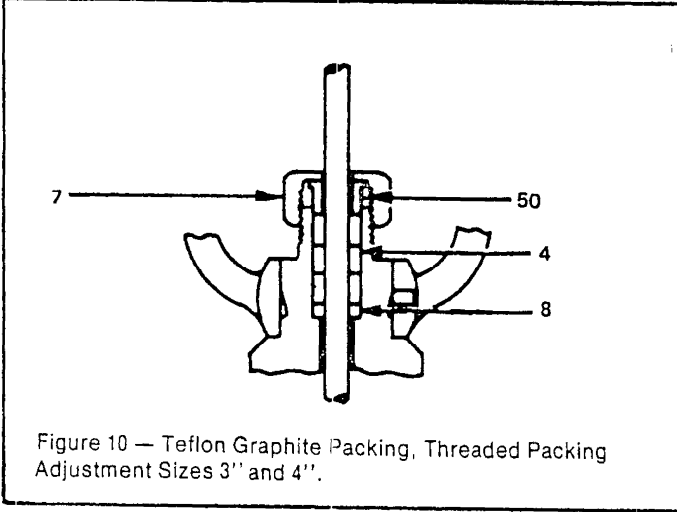


Figure 10 — Teflon Graphite Packing, Threaded Packing Adjustment Sizes 3" and 4".

\*Registered Trademark

# Nor' East

## 1" – 10" 1600 Series Three-Way Globe Valves

### Key No. 1 – Valve Body

Valve Size	Rating and End Connection					
	Body Material	250 lb Screwed	125 lb Flanged	250 lb Flanged	600 lb Screwed	150 lb Flanged
1"	Cast Iron	30672600-001	30672601-001	30672602-001	-	-
	Cast Steel	-	-	-	30672603-001	30672604-001
	316 SS (-150 to -21°F)	-	-	-	30672603-002	30672604-002
	316 SS (-20 to 750°F)	-	-	-	30672603-003	30672604-003
		<b>300 lb Flanged</b>	<b>600 lb Flanged</b>	<b>150 lb Ring-Type Joint</b>	<b>300 lb Ring-Type Joint</b>	<b>600 lb Ring-Type Joint</b>
	Cast Steel	30672605-001	30672606-001	30672607-001	30672608-001	30672608-001
	316 SS (-150 to -21°F)	30672605-002	30672606-002	30672607-002	30672608-002	30672608-002
	316 SS (-20 to 750°F)	30672605-003	30672606-003	30672607-003	30672608-003	30672608-003
		<b>250 lb Screwed</b>	<b>125 lb Flanged</b>	<b>250 lb Flanged</b>	<b>600 lb Screwed</b>	<b>150 lb Flanged</b>
1-1/4"	Cast Iron	30672610-001	30672611-001	30672612-001	-	-
	Cast Steel	-	-	-	30672613-001	30672614-001
	316 SS (-150 to -21°F)	-	-	-	30672613-002	30672614-002
	316 SS (-20 to 750°F)	-	-	-	30672613-003	30672614-003
		<b>300 lb Flanged</b>	<b>600 lb Flanged</b>	<b>150 lb Ring-Type Joint</b>	<b>300 lb Ring-Type Joint</b>	<b>600 lb Ring-Type Joint</b>
	Cast Steel	30672615-001	30672616-001	30672617-001	30672618-001	30672619-001
	316 SS (-150 to -21°F)	30672615-002	30672616-002	30672617-002	30672618-002	30672619-002
	316 SS (-20 to 750°F)	30672615-003	30672616-003	30672617-003	30672618-003	30672619-003
		<b>250 lb Screwed</b>	<b>125 lb Flanged</b>	<b>250 lb Flanged</b>	<b>600 lb Screwed</b>	<b>150 lb Flanged</b>
1-1/2"	Cast Iron	30672621-001	30672622-001	30672623-001	-	-
	316 SS (-150 to -21°F)	-	-	-	30672624-002	30672625-002
	316 SS (-20 to 750°F)	-	-	-	30672624-003	30672625-003
		<b>300 lb Flanged</b>	<b>600 lb Flanged</b>	<b>150 lb Ring-Type Joint</b>	<b>300 lb Ring-Type Joint</b>	<b>600 lb Ring-Type Joint</b>
	Cast Steel	30672626-001	30672627-001	30672628-001	30672629-001	30672630-001
	316 SS (-150 to -21°F)	30672626-002	30672627-002	30672628-002	30672629-002	30672630-002
	316 SS (-20 to 750°F)	30672626-003	30672627-003	30672628-003	30672629-003	30672630-003



**Key No. 1 – Valve Body (continued)**

Valve Size	Rating and End Connection					
	Body Material	250 lb Screwed	125 lb Flanged	250 lb Flanged	600 lb Screwed	150 lb Flanged
2"	Cast Iron	30672632-001	30672633-001	30672634-001	-	-
	Cast Steel	-	-	-	30672635-001	30672636-001
	316 SS (-150 to -21°F)	-	-	-	30672635-002	30672636-002
	316 SS (-20 to 750°F)	-	-	-	30672635-003	30672636-003
		<b>300 lb Flanged</b>	<b>600 lb Flanged</b>	<b>150 lb Ring-Type Joint</b>	<b>300 lb Ring-Type Joint</b>	<b>600 lb Ring-Type Joint</b>
	Cast Steel	30672637-001	30672638-001	30672639-001	30672640-001	30672641-001
	316 SS (-150 to -21°F)	30672637-002	30672638-002	30672639-002	30672640-002	30672641-002
	316 SS (-20 to 750°F)	30672637-003	30672638-003	30672639-003	30672640-003	30672641-003
		<b>250 lb Screwed</b>	<b>125 lb Flanged</b>	<b>250 lb Flanged</b>	<b>600 lb Screwed</b>	<b>150 lb Flanged</b>
2-1/2"	Cast Iron	-	30672643-001	30672644-001	-	-
	Cast Steel	-	-	-	-	30672645-001
	316 SS (-150 to -21°F)	-	-	-	-	30672645-002
	316 SS (-20 to 750°F)	-	-	-	-	30672645-003
		<b>300 lb Flanged</b>	<b>600 lb Flanged</b>	<b>150 lb Ring-Type Joint</b>	<b>300 lb Ring-Type Joint</b>	<b>600 lb Ring-Type Joint</b>
	Cast Steel	30672646-001	30672647-001	30672648-001	30672649-001	30672650-001
	316 SS (-150 to -21°F)	30672646-002	30672647-002	30672648-002	30672649-002	30672650-002
	316 SS (-20 to 750°F)	30672646-003	30672647-003	30672648-003	30672649-003	30672650-003

**Key No. 2 – Body Gasket**

Valve Size	Body Material	Plain Bonnet	Insul Col Low Range	Insul Col High Range	Bellows Seal Low Range	Bellows Seal High Range	Radiating Fin
1+	Cast Iron	30065900-859	30065900-859	-	30065900-365	-	-
	Cast Steel	30065919-859	30065919-859	-	30065919-365	30069002-333	30065919-841
	S. S.	30065919-365	30065919-854	30065919-365	30065919-365	30069002-333	30065919-841
1-1/4+ & 1-1/2+	Cast Iron	30065901-859	30065901-859	-	30065901-365	-	-
	Cast Steel	30065920-859	30065920-859	-	30065920-365	30069003-333	30065920-841
	S. S.	30065920-365	30065920-854	30065920-365	30065920-365	30069003-333	30065920-841
2+ & 2-1/2+	Cast Iron	30066937-859	30066937-859	-	30066937-365	-	-
	Cast Steel	30066954-859	30066954-859	-	30066954-365	30069004-509	30066954-841
	S. S.	30066954-365	30066954-854	30066954-365	30066954-365	30069004-509	30066954-841
3+	Cast Iron	30006875-859	-	-	-	-	-
	Cast Steel	30010915-859	-	-	-	-	-
4+	Cast Iron	30064006-859	-	-	-	-	-
	Cast Steel	30010880-859	-	-	-	-	-
6+	Cast Iron	30064007-859	-	-	-	-	-
	Cast Steel	30011254-859	-	-	-	-	-

# Nor' East

## 1" – 10" 1600 Series Three-Way Globe Valves

### Key No. 2 – Body Gasket (continued)

Valve Size	Body Material	Plain Bonnet	Insul Col Low Range	Insul Col High Range	Bellows Seal Low Range	Bellows Seal High Range	Radiating Fin
8+	Cast Iron	30064008-859	-	-	-	-	-
	Cast Steel	30011191-859	-	-	-	-	-
10+	Cast Iron	30064009-859	-	-	-	-	-
	Cast Steel	30011410-859	-	-	-	-	-

### Key No. 3 – Bonnet Subassembly Threaded Packing Adjustment

(Guide Bushing included on all styles except Bellows Seal.)

Valve Size	Body Material	Plain Bonnet	Insul Col or Low Range	Bellows Seal
1+	Cast Iron	30673368-002	30673378-002	30673390-001
	Cast Steel	30673369-004	30673379-004	30673390-001
	S. S.	30673369-005	30673379-005	30673390-002
1-1/4+ & 1-1/2+	Cast Iron	30673370-002	30673380-001	30673391-001
	Cast Steel	30673371-004	30673381-001	30673391-001
	S. S.	30673371-005	30673381-002	30673391-002
2+ & 2-1/2+	Cast Iron	30673372-002	30673370-002	30673391-001
	Cast Steel	30673373-003	30673371-004	30673391-001
	S. S.	30673373-004	30673371-005	30673391-002
3+	Cast Iron	30673374-002	-	-
	Cast Steel	30673375-004	-	-

### Key No. 4 – Teflon Packing - Threaded Packing Adjustment – without lubricator

Valve Size	Teflon Graphite	Spring Loaded Teflon Cone	Qty
1+thru 2-1/2+	30035107-840	30041035-854	4
3+and 4+	30044392-840	-	6

### Key No. 5– Teflon Spacer

Valve Size	Teflon Graphite
1+thru 2-1/2+	30035031-854

### Key No. 6 – Stem - Threaded Packing Adjustment

Valve Size	Plain Bonnet	Insul Column	Radiating Fin
1+	30048907-316	30048908-316	30048908-316
1-1/4+	30065906-316	30065914-316	30065914-316
1-1/2+	30065906-316	30065914-316	30065914-316
2+ & 2-1/2+	30066957-316	30066959-316	30066961-316
3+	30043415-316	30043403-316	30043403-316
4+	30043416-316	30043404-316	30043404-316

<b>Key No. 7 – Packing Nut</b>			
<b>Valve Size</b>	<b>Body Material</b>	<b>Teflon Graphite without Lubricator</b>	<b>Spring Loaded Teflon Cone without Lubricator</b>
1+thru 2-1/2+	Cast Iron	30048916-316	-
	Cast Steel	30048916-316	-
	SS	30048916-316	-
1+	Cast Iron	-	30049326-107
	Cast Steel	-	30049326-107
	SS	-	30049326-303
1-1/4+thru 2-1/2+	Cast Iron	-	30067030-107
	Cast Steel	-	30067030-107
	SS	-	30067030-303

**Key No. 8 – Packing Retaining Ring - Threaded Packing Adjustment**

<b>Valve Size</b>	
1+thru 2-1/2+	30047519-316
3+& 4+	30001722-316

**Key No. 9 – Pin**

<b>Valve Size</b>		Quantity two (2) with Bellows Seal valves
1+	30032248-322	
1-1/4+& 1-1/2+	30067057-322	
2+& 2-1/2+	30029934-322	
3+& 4+	30029935-322	
6+	30043251-322	(30032107-322 used with 6+cast steel valve with SS trim)
8+	30026563-322	
10+	30032108-322	

**Key No. 10 – Seat Ring**

<b>Valve Size</b>	<b>Trimn Material</b>					
	<b>SS</b>		<b>17-4 PH</b>		<b>Stellite</b>	
	<b>Upper</b>	<b>Lower</b>	<b>Upper</b>	<b>Lower</b>	<b>Upper</b>	<b>Lower</b>
1+	30065940-342	30065950-316	30065940-338	30065950-338	30065940-331	30065950-331
1-1/4+	30065941-342	30065951-316	30065941-338	30065951-338	30065941-331	30065951-331
1-1/2+	30065946-342	30065952-316	30065946-338	30065952-338	30065946-331	30065952-331
2+	30066916-342	30066922-316	30066916-338	30066922-338	30066916-331	30066922-331
2-1/2+	30066923-342	30066929-316	30066923-338	30066929-338	30066923-331	30066929-331
3+	30044430-313	30044430-313	-	-	-	-
4+	30012576-313	30012576-313	-	-	-	-
6+	30014765-313	30014765-313	-	-	-	-
8+	30014770-313	30014770-313	-	-	-	-
10+	30014798-313	30014798-313	-	-	-	-

# Nor' East

## 1" – 10" 1600 Series Three-Way Globe Valves

### Key No. 11 – Valve Plug – Threaded and Bolted Packing Adjustment

Valve Size	Trim Material	Plain Bonnet and Insulating Column -- 150 to 32° F	Radiating Fin	Bellows Seal (two pieces) -50 to 450° F	Bellows Seal (two pieces) 450 to 750° F
1+	S.S.	30066025-313	30066034-313	30066026-316 30066027-313	30066026-316 30066036-313
	17-4 PH	30066025-472	30066034-472	30066026-338 30066027-472	30066026-338 30066036-472
	Stelite	30066025-331	30066034-331	30066026-316 30066027-331	30066026-316 30066036-331
1-1/4+	S.S.	30066028-313	30066037-313	30066029-316 30066030-313	30066029-316 30066039-313
	17-4 PH	30066028-472	30066037-472	30066029-338 30066030-472	30066029-338 30066039-472
	Stelite	30066028-331	30066037-331	30066029-316 30066030-331	30066029-316 30066039-331
1-1/2+	S.S.	30066031-313 30066032-313*	30066040-313	30066032-316 30066033-313	30066032-316 30066042-313
	17-4 PH	30066031-472	30066040-472	30066032-338 30066033-472	30066032-338 30066042-338
	Stelite	30066031-331	30066040-331	30066032-316 30066033-331	30066032-316 30066042-331
2+	S.S.	30066872-313	30066942-313	30066946-316 30066947-313	30066946-316 30066951-313
	17-4 PH	30066872-472	30066942-472	30066946-338 30066947-472	30066946-338 30066951-472
	Stelite	30066872-331	30066942-331	30066946-316 30066947-331	30066946-316 30066951-331
2-1/2+	S.S.	30066887-313	30066943-313	30066948-316 30066949-313	30066948-316 30066953-313
	17-4 PH	30066887-472	30066943-472	30066948-338 30066949-472	30066948-338 30066953-472
	Stelite	30066887-331	30066943-331	30066948-316 30066949-331	30066948-316 30066953-331
3+	S.S.	30035783-313**	-	-	-
4+	S.S.	30035784-313**	-	-	-
6+	S.S.	30035628-313**	-	-	-
8+	S.S.	30035983-313**	-	-	-
10+	S.S.	30037831-313**	-	-	-

\* Used with Insulating Column (-150 to 32° F) only.  
\*\* Used with Plain Bonnet only.

### Key No. 12 – Seat Ring Gasket

Valve Size	Body Material	Plain Bonnet	Insul Col Low Range	Insul Col High Range	Bellows Seal Low Range	Bellows Seal High Range	Radiating Fin
1+	Cast Iron	30065900-859	30065900-859	-	30065900-365	-	-
	Cast Steel	30065919-859	30065919-859	-	30065919-365	30069002-333	30065919-841
	S. S.	30065919-365	30065919-854	30065919-365	30065919-365	30069002-333	30065919-841
1-1/4+ & 1-1/2+	Cast Iron	30065901-859	30065901-859	-	30065901-365	-	-
	Cast Steel	30065920-859	30065920-859	-	30065920-365	30069003-333	30065920-841
	S. S.	30065920-365	30065920-854	30065920-365	30065920-365	30069003-333	30065920-841

**Key No. 12 – Seat Ring Gasket (continued)**

Valve Size	Body Material	Plain Bonnet	Insul Col Low Range	Insul Col High Range	Bellows Seal Low Range	Bellows Seal High Range	Radiating Fin
2+ & 2-1/2+	Cast Iron	30066937-859	30066937-859	-	30066937-365	-	-
	Cast Steel	30066954-859	30066954-859	-	30066954-365	30069004-333	30065954-841
	S. S.	30066954-365	30066954-854	30066954-365	30066954-365	30069004-333	30065954-841
3+	Cast Iron	30064004-859	-	-	-	-	-
	Cast Steel	30025943-859	-	-	-	-	-
4+	Cast Iron	30064011-859	-	-	-	-	-
	Cast Steel	30022748-859	-	-	-	-	-
6+	Cast Iron	30064012-859	-	-	-	-	-
	Cast Steel	30023041-859	-	-	-	-	-
8+	Cast Iron	30064013-859	-	-	-	-	-
	Cast Steel	30026042-859	-	-	-	-	-
10+	Cast Iron	-	-	-	-	-	-
	Cast Steel	-	-	-	-	-	-

**Key No. 13 – Tailpiece Gasket**

Valve Size	Body Material	Plain Bonnet	Insul Col Low Range	Insul Col High Range	Bellows Seal Low Range	Bellows Seal High Range	Radiating Fin
1+	Cast Steel	30065919-859	30065919-859	-	30065919-365	30069002-333	30065919-841
	S. S.	30065919-365	30065919-854	30065919-365	30065919-365	30069002-333	30065919-841
1-1/4+ & 1-1/2+	Cast Steel	30065920-859	30065920-859	-	30065920-365	30069003-333	30065920-841
	S. S.	30065920-365	30065920-854	30065920-365	30065920-365	30069003-333	30065920-841
2+ & 2-1/2+	Cast Steel	30066954-859	30066954-859	-	30066954-365	30069004-333	30066954-841
	S. S.	30066954-365	30066954-854	30066954-365	30066954-365	30069004-333	30066954-841
3+	Cast Steel	30025943-859	-	-	-	-	-
4+	Cast Steel	30022748-859	-	-	-	-	-
6+	Cast Steel	30023041-859	-	-	-	-	-
8+	Cast Steel	30026042-859	-	-	-	-	-
10+	Cast Steel	30011410-859	-	-	-	-	-

**Key No. 14 – Tailpiece**

Valve Size	Rating and End Connection					
	Body Material	250 lb Screwed	125 lb Flanged	250 lb Flanged	600 lb Screwed	150 lb Flanged
1"	Cast Iron	30065866-200	30065872-200	30065875-200	-	-
	Cast Steel	-	-	-	30065869-250	30065878-250
	S.S.	-	-	-	30065869-313	30065878-313
		<b>300 lb Flanged</b>	<b>600 lb Flanged</b>	<b>150 lb Ring-Type Joint</b>	<b>300 lb Ring-Type Joint</b>	<b>600 lb Ring-Type Joint</b>
	Cast Steel	30065881-250	30065884-250	30065887-250	30065890-250	30065890-250
	S.S	30065881-313	30065884-313	30065887-313	30065890-313	30065890-313

# Nor' East

## 1" – 10" 1600 Series Three-Way Globe Valves

### Key No. 14 – Tailpiece (continued)

Valve Size	Rating and End Connection					
	Body Material	250 lb Screwed	125 lb Flanged	250 lb Flanged	600 lb Screwed	150 lb Flanged
1-1/4"	Cast Iron	30065867-200	30065873-200	30065876-200	-	-
	Cast Steel	-	-	-	30065870-250	30065879-250
	S.S.	-	-	-	30065870-313	30065879-313
		<b>300 lb Flanged</b>	<b>600 lb Flanged</b>	<b>150 lb Ring-Type Joint</b>	<b>300 lb Ring-Type Joint</b>	<b>600 lb Ring-Type Joint</b>
	Cast Steel	30065882-250	30065885-250	30065888-250	30065891-250	30065894-250
	S.S.	30065882-313	30065885-313	30065888-313	30065891-313	30065894-313
1-1/2+	<b>Body Material</b>	<b>250 lb Screwed</b>	<b>125 lb Flanged</b>	<b>250 lb Flanged</b>	<b>600 lb Screwed</b>	<b>150 lb Flanged</b>
	Cast Iron	30065868-200	30065874-200	30065877-200	-	-
	Cast Steel	-	-	-	30065871-250	30065871-313
	S.S.	-	-	-	30065880-250	30065880-313
		<b>300 lb Flanged</b>	<b>600 lb Flanged</b>	<b>150 lb Ring-Type Joint</b>	<b>300 lb Ring-Type Joint</b>	<b>600 lb Ring-Type Joint</b>
	Cast Steel	30065883-250	30065886-250	30065889-250	30065892-250	30065895-250
S.S.	30065883-313	30065886-313	30065889-313	30065892-313	30065895-313	
2+	<b>Body Material</b>	<b>250 lb Screwed</b>	<b>125 lb Flanged</b>	<b>250 lb Flanged</b>	<b>600 lb Screwed</b>	<b>150 lb Flanged</b>
	Cast Iron	30066840-200	30066842-200	30066844-200	-	-
	Cast Steel	-	-	-	30066841-250	30066846-250
	S.S.	-	-	-	30066841-313	30066846-313
		<b>300 lb Flanged</b>	<b>600 lb Flanged</b>	<b>150 lb Ring-Type Joint</b>	<b>300 lb Ring-Type Joint</b>	<b>600 lb Ring-Type Joint</b>
	Cast Steel	30066848-250	30066850-250	30066852-250	30066854-250	30066856-250
S.S.	30066848-313	30066850-313	30066852-313	30066854-313	30066856-313	
2-1/2+	<b>Body Material</b>	<b>250 lb Screwed</b>	<b>125 lb Flanged</b>	<b>250 lb Flanged</b>	<b>600 lb Screwed</b>	<b>150 lb Flanged</b>
	Cast Iron	-	30066843-200	30066845-200	-	-
	Cast Steel	-	-	-	-	30066847-250
	S.S.	-	-	-	-	30066847-313
		<b>300 lb Flanged</b>	<b>600 lb Flanged</b>	<b>150 lb Ring-Type Joint</b>	<b>300 lb Ring-Type Joint</b>	<b>600 lb Ring-Type Joint</b>
	Cast Steel	30066849-250	30066851-250	30066853-250	30066855-250	30066857-250
S.S.	30066849-313	30066851-313	30066853-313	30066855-313	30066857-313	

### Key No. 15 - Stud

Valve Size	Body Material		Qty
1" thru 1-1/2+	Cast Steel	30007237-271	8
	316 SS (-20 to 750°F)	30007237-271	8
	316 SS (-150 to -21°F)	30007237-268	8
2" & 2-1/2+	Cast Steel	30067384-271	8
	316 SS (-20 to 750°F)	30067384-271	8
	316 SS (-150 to -21°F)	30067384-268	8
3+Tailpiece	Cast Steel	30044570-271	8
3+Body	Cast Steel	30020202-271	6
4+	Cast Steel	30017455-271	16
6+	Cast Steel	30020064-271	16
8+	Cast Iron	30043258-271	24
	Cast Steel	30044619-271	24
10+	Cast Iron	30045988-271	32
	Cast Steel	30045988-271	32

**Key No. 16 - Nut**

Valve Size	Plain Bonnet	Qty	Insulating or Bellows Seal	Qty
1"	30020234-272	8	30020234-272* 30020119-272*	8 4
1-1/4+ & 1-1/2+	30020234-272	8	30020234-272*	12
2" & 2-1/2+	30020203-272	8	30020203-272* 30020234-272*	8 4
3+	30020203-272 30020188-272	8 6	30020203-272 30020188-272	8 6
4+	30020203-272	16	30020203-272	16
6+	30020201-272	16	-	-
8+	30020207-272	24	-	-
10+	30026354-272	32	-	-

\* Insulating or Bellows Seal Stainless Steel Bodies (-150 to 32° F) use material . 267.

**Key No. 17 - Bushing**

Valve Size	
3"	30035428-316
4+	30035938-316

**Key No. 18 – Bonnet Subassembly Bolted Packing Adjustment –**

Packing Flange Stud included on all styles .

Guide Bushing included on all styles except Bellows Seal

Valve Size	Body Material	Plain Bonnet	Insul Column or Radiating Fin	Bellows Seal
1+	Cast Iron	30672870-002	30672889-002	30672933-001
	Cast Steel	30672880-004	30672890-004	30672933-001
	S. S.	30672880-005	30672890-005	30672933-002
1-1/4+ & 1-1/2+	Cast Iron	30672871-002	-	30672934-001
	Cast Steel	30672881-004	-	30672934-001
	S. S.	30672881-005	-	30672934-002
2+ & 2-1/2+	Cast Iron	30672872-002	30672893-001	30672934-001
	Cast Steel	30672882-004	30672894-001	30672934-001
	S. S.	30672882-005	30672894-002	30672934-002
3+	Cast Iron	30672873-002	-	-
	Cast Steel	30672883-004	-	-
4+	Cast Iron	30672874-004	-	-
	Cast Steel	30672884-004	-	-
6+	Cast Iron	30672875-002	-	-
	Cast Steel	30672885-004	-	-
8+	Cast Iron	30672876-002	-	-
	Cast Steel	30672886-004	-	-
10+	Cast Iron	30672877-002	-	-
	Cast Steel	30672887-004	-	-

# Nor' East

## 1" – 10" 1600 Series Three-Way Globe Valves

---

### Key No. 19 – Lantern Ring

Valve Size	Plain, Ins Col and Rad Fin Bonnet	Bellows Seal Bonnet
1+, 1-1/4+ & 1-1/2+	30032997-316	30036802-316
2+ & 2-1/2+	30036802-316	30036802-316
3+ & 4+	30036802-316	-
6+	30036775-316	-
8+ & 10+	30033110-316	-

### Key No. 20 - Packing

Valve Size	Teflon Graphite with Lubricator	Qty	Laminated Graphite (Grafoil) with Lubricator	Qty
1+, 1-1/4+ & 1-1/2+	30035107-840	8	30035107-127	8
1-1/4+, 1-1/2+, 2+ & 2-1/2+	30042563-840 (for Bellows Seal)	4	-	-
2", 2-1/2+ & 3+	30042563-840	5	30018623-127	10
4+	30042563-840	5	30018623-127	10
6+	30045231-840	5	30018625-127	10
8+ & 10+	30043548-840	5	30018631-127	10

### Key No. 21 – Yoke Lock Nut

Valve Size	
1+ thru 4+	30036962-392
6+, 8+ & 10+	30036963-392

### Key No. 22 – Packing Follower – Bolted Packing Adjustment

Valve Size	
1+, 1-1/4+ & 1-1/2+	30032998-303
1-1/4+, 1-1/2+, 2+, 2-1/2+ & 3+	30035639-303
4+	30035639-303
6+	30035276-303
8+ & 10+	30037243-303

### Key No. 23 – Packing Flange Nut

Valve Size		Qty
1+ thru 4+	30032523-272	2
6+, 8+ & 10+	30032534-272	2

### Key No. 24 – Packing Flange Stud

Valve Size		Qty
1+ thru 4+	30037325-271	2
6+, 8+ & 10+	30037244-271	2



**Key No. 25 – Stem – Bolted Packing Adjustment**

Valve Size	Plain Bonnet	Radiating Fin Bonnet	Insulating Column Bonnet
1+	30048901-316	30048902-316	30048902-316
1-1/4+ & 1-1/2+	30048901-316	30048913-316	30048913-316
2+ & 2-1/2+	30066956-316	30066960-316	30066958-316
3+	30037541-316	-	-
4+	30037543-316	-	-
6+	30049183-316	-	-
8+	30014894-316	-	-
10+	30065078-316	-	-

**Key No. 26 – Packing Flange**

Valve Size	
1+ thru 3+	30036959-392 (includes Bellows Seal) 30065375-392 (for spring loaded Teflon V-ring Packing)
4+	30036959-392
6+ thru 10+	30036960-392

**Key No. 27 – Packing Lubricator**

30065700-235
--------------

**Key No. 28 – Lubricant – box of 24 Sticks**

30043038-921*		
Temperature Range °F	Color	Unsuitable For
60 to 650	White	Liquid light hydrocarbons, aromatic solvents, nitrating acids
* Normally supplied. For specific applications refer to Engineering spec V.E.D. . 4-5.		

**Key No. 29 – Packing Retaining Ring – Bolted Packing Adjustment**

Valve Size	Shredded Teflon without Lubricator	Teflon Graphite with Lubricator	Laminated Graphite (Grafoil) with Lubricator
1+, 1-1/4+ & 1-1/2+	-	30047519-316	30047519-316
1-1/4+, 1-1/2+, 2+ & 2-1/2+	30066576-316 (for Bellows Seal)	30001722-316 (for Bellows Seal)	-
2", 2-1/2+ & 3+	30035640-316	30001722-316	30001722-316
4+	30035640-316	30001722-316	30001722-316
6+	30045230-316	30010144-316	30010144-316
8+ & 10+	30035060-316	30011491-316	30011491-316

**Key No. 30 – Nameplate Screw**

Valve Size		Qty
1+ thru 2-1/2+	30021923-322	3
3+ & 4+	30020617-322	3

**Key No. 31 – Nameplate**

30048895-457
--------------

# Nor' East

## 1" – 10" 1600 Series Three-Way Globe Valves

### Key No. 32 - Capscrew

Valve Size	Plain Bonnet	Qty	Insulating or Bellows Seal	Qty
1"	30008304-264	8	30007662-264	4
1-1/4+ & 1-1/2+	30008671-264	8	30008671-264	12
2" & 2-1/2+	30064001-264	8	30008671-264	4
3+	30041083-264	8	30008671-264	8
	30041094-264	6	30041094-264	6
4+	30064001-264	16	30064001-264	16
6+	30042511-264	16	-	-

### Key No. 33 – Tailpiece Subassembly, includes Seat Ring Key #10

Valve Size	Rating and End Connection					
	Material	125 lb Flanged	250 lb Flanged	150 lb Flanged	300 lb Flanged	600 lb Flanged
3+	Cast Iron	30673101-002	30673101-002	-	-	-
	Cast Steel	-	-	30673103-001	30673104-001	30673105-001
4+	Cast Iron	30673109-002	30673110-002	-	-	-
	Cast Steel	-	-	30673111-001	30673112-001	30673113-001
6+	Cast Iron	30673117-001	30673118-001	-	-	-
	Cast Steel	-	-	30673119-001	30673120-001	30673121-001
8+	Cast Iron	30673125-001	30673126-001	-	-	-
	Cast Steel	-	-	30673127-001	30673128-001	30673129-001
10+	Cast Iron	30673133-001	30673134-001	-	-	-
	Cast Steel	-	-	30673135-001	-	-
		<b>150 lb RTJ</b>	<b>300 lb RTJ</b>	<b>600 lb RTJ</b>		
3+	Cast Steel	30673106-001	30673107-001	30673108-001		
4+	Cast Steel	30673114-001	30673115-001	30673116-001		
6+	Cast Steel	30673122-001	30673123-001	30673124-001		
8+	Cast Steel	30673130-001	30673131-001	30673132-001		

### Key No. 34 – Extension Bonnet – includes Guide Bushing and Bonnet Studs

		Threaded Packing Adjustment Valves	
Valve Size	Body Material	Insulating Column	Radiating Fin
1+	Cast Iron (less studs)	30672907-001	-
	Cast Steel	30672908-001	30672908-001
	S. S.	30672908-006	30672908-002
1-1/4+ & 1-1/2+	Cast Iron (less studs)	30673380-001	-
	Cast Steel	30673381-001	30673381-001
	S. S.	30673381-002	30673382-002
2+ & 2-1/2+	Cast Iron (less studs)	30672924-001	-
	Cast Steel	30672923-001	30673384-001
	S. S.	30672923-004	30673387-002
3+	Cast Iron (less studs)	30673382-002	-
	Cast Steel	30673383-002	30673383-001
4+	Cast Iron (less studs)	30673384-002	-
	Cast Steel	30673385-007	30673385-008

**Key No. 34 – Extension Bonnet (continued)**

		<b>Bolted Packing Adjustment Valves</b>	
<b>Valve Size</b>	<b>Body Material</b>	<b>Insulating Column</b>	<b>Radiating Fin</b>
1+	Cast Iron (less studs)	30672907-001	-
	Cast Steel	30672908-001	30672908-001
	S. S.	30672908-006	30672908-002
1-1/4+& 1-1/2+	Cast Iron (less studs)	30672891-001	-
	Cast Steel	30672892-001	30672891-001
	S. S.	30672892-002	30672892-002
2+& 2-1/2+	Cast Iron (less studs)	30672924-001	-
	Cast Steel	30672923-001	30672917-001
	S. S.	30672923-004	30672917-002
10+	Cast Steel	30672904-008	-

**Key No. 35 – Bonnet Stud**

<b>Valve Size</b>	<b>Material</b>		<b>Qty</b>
1+	Cast Steel	30048900-271	4
	S. S.	30048900-271	4
	S. S.	30048900-268*	4
1-1/4+thru 2-1/2+	Cast Steel	30007237-271	4
	S. S.	30007237-271	4
	S. S.	30007237-268*	4

\* Supplied only with Insulating or Bellows Seal S.S. (-150 to 32 °F).

**Key No. 36 – Teflon Packing – Bolted Packing Adjustment without Lubricator**

<b>Valve Size</b>	<b>Shredded Teflon</b>	<b>Qty</b>
1+, 1-1/4+& 1-1/2+	30035032-844	4
1-1/4+, 1-1/2+, 2+ & 2-1/2+	30023808-844 (for Bellows Seal only)	3
2", 2-1/2+, 3+& 4+	30023808-844	4
6+	30023814-844	4
8+& 10+	30023817-844	4

**Key No. 37 – Teflon Spacer – Bolted Packing Adjustment**

<b>Valve Size</b>	<b>Shredded Teflon</b>	<b>Qty</b>
1+, 1-1/4+& 1-1/2+	30035031-854	5
1-1/4+, 1-1/2+, 2+ & 2-1/2+	30023517-854 (for Bellows Seal only)	4
2", 2-1/2+, 3+& 4+	30023517-854	5
6+	30023519-854	5
8+& 10+	30023816-854	5

# Nor' East

## 1" – 10" 1600 Series Three-Way Globe Valves

### Key No. 38 – Bonnet Gasket

Valve Size	Body Material	Insul Col Low Range	Insul Col High Range	Radiating Fin
1+	Cast Iron	30048918-859	-	-
	Cast Steel	30047528-859	30047528-854	30047528-841
	S. S.	-	30047528-365	30047528-841
2+& 2-1/2+	Cast Iron	30065901-859	-	-
	Cast Steel	30065920-859	-	-
	S. S.	30065920-854	30065920-365	-

### Key No. 39 – Guide Bushing

Valve Size	Material	
1+	Cast Iron	30047527-431
	Cast Steel	30047527-431
	S. S.	30047527-383
	S. S.	30047527-382*
1-1/4+& 1-1/2+	Cast Iron	30065930-431
	Cast Steel	30065930-431
	S. S.	30065930-383
2+& 2-1/2+	Cast Iron	30066955-431
	Cast Steel	30066955-431
	S. S.	30066955-383
3+	Cast Steel	30001389-431

\* Insulating column (-150 to 32 °F) with threaded packing adjustment only.

### Key No. 40 – Anti-Spin Pin

Valve Size	
1+thru 1-1/2+	30049484-322
2+& 2-1/2+	30064243-322

### Key No. 41 – Bellows Seal Bonnet Subassembly – includes Guide Bushing and Bonnet Studs

Threaded and Bolted Packing Adjustment Valves		
Valve Size	Body Material	
1+	Cast Iron (less studs)	30672918-001
	Cast Steel	30672908-001
	S. S.	30672908-006 (-50 to 32° F only)
	S. S.	30672908-002
1-1/4+& 1-1/2+	Cast Iron (less studs)	30672920-001
	Cast Steel	30672921-001
	S. S.	30672921-006 (-50 to 32° F only)
	S. S.	30672921-002
2+& 2-1/2+	Cast Iron (less studs)	30672922-001
	Cast Steel	30672923-001
	S. S.	30672923-004 (-50 to 32° F only)
	S. S.	30672923-002

**Key No. 42 – Pipe Plug**

Body Material	Plain, Insulating or Radiating Fin Bonnet	Bellows Seal Bonnet
Cast Iron, Cast Steel	30041447-264	30020117-264
S.S.	30041447-322	30020117-322

**Key No. 43 – Bellows Seal Gasket**

Body Material and Temperature						
Valve Size	Cast Iron	Cast Steel (Low Range)	Cast Steel (High Range)	S. S. (Low Range)	S. S. (High Range)	Qty
1+	30047528-365	30047528-365	30069000-333	30047528-365	30069000-333	2
1-1/4+ & 1-1/2+	30065920-365	30065920-365	30069003-333	30065920-365	30069003-333	2
2+ & 2-1/2+	30065920-365	30065920-365	30069003-333	30065920-365	30069003-333	2

**Key No. 44 – Bellows Subassembly**

Valve Size	Threaded Packing Adjustment	Bolted Packing Adjustment
1+	30048909-910	30048903-910
1-1/4+, 2+ & 2-1/2+	30065934-910	30065933-910

**Key No. 45 – Stem Adaptor - Bellows Seal only**

Valve Size	
1+, 1-1/4+ & 1-1/2+	30065912-316
2+ & 2-1/2+	30066923-316

**Key No. 46 – Pin**

Valve Size	
1-1/4+ & 1-1/2+	30032248-322
2+ & 2-1/2+	30036953-322

**Key No. 47 – Screw**

Valve Size		Qty
1+ thru 2-1/2+	30021923-322	2
3+ thru 6+	30020617-322	2
8+ & 10+	30021923-322	2

**Key No. 48 – Spring Seat**

Body Material	Upper	Lower
Cast Iron, Cast Steel	30049325-107	30041086-107
S.S.	30049325-303	30041086-303

**Key No. 49 – Spring**

Threaded Packing Adjustment	Bolted Packing Adjustment
30041084-218	30065385-461 30065384-461*
* Size 2+, 2-1/2+ & 3+ only.	

**Key No. 50 – Packing Follower - Threaded Packing Adjustment**

Valve Size	
3+ & 4+	30001721-316

# Nor' East

## 1" – 10" 1600 Series Three-Way Globe Valves

### Key No. 51 – Stem Wiper

Valve Size	Upper	Lower
1+, 1-1/4+ & 1-1/2+	30041035-854	30065414-862
2+, 2-1/2+ & 3+	30065388-854	30065415-862

### Key No. 52 – Packing Subassembly

Valve Size	
1+, 1-1/4+ & 1-1/2+	30065395-936
2+, 2-1/2+ & 3+	30065397-936

### Key No. 53 – Washer

Valve Size		Qty
1+, 1-1/4+ & 1-1/2+	30065405-316	2
2+, 2-1/2+ & 3+	30065406-316	2

### Key No. 54 – Flow Indicator Plate (not illustrated)

Valve Size	
1+ thru 2-1/2+	30065535-454
3+, 4+, 6+, 8+ & 10+	30043266-454
4+	30037912-454 (cast iron body with bronze trim only)

### Key No. 55 – Body Subassembly – includes Seat Ring and Body Studs on Cast Steel; includes Seat Ring only on Cast Iron

Valve Size	Rating and End Connection					
	Body Material	125 lb Flanged	250 lb Flanged	150 lb Flanged	300 lb Flanged	600 lb Flanged
3+	Cast Iron	30672721-001	30672722-001	-	-	-
	Cast Steel	-	-	30672723-001	30672724-001	30672725-001
		<b>150 lb Ring-Type Joint</b>	<b>300 lb Ring-Type Joint</b>	<b>600 lb Ring-Type Joint</b>		
	Cast Steel	30672726-001	30672727-001	30672728-001		
4+		<b>125 lb Flanged</b>	<b>250 lb Flanged</b>	<b>150 lb Flanged</b>	<b>300 lb Flanged</b>	<b>600 lb Flanged</b>
	Cast Iron	30672729-001	30672730-001	-	-	-
	Cast Steel	-	-	30672731-001	30672732-001	30672733-001
		<b>150 lb Ring-Type Joint</b>	<b>300 lb Ring-Type Joint</b>	<b>600 lb Ring-Type Joint</b>		
6+	Cast Steel	30672734-001	30672735-001	30672736-001		
		<b>125 lb Flanged</b>	<b>250 lb Flanged</b>	<b>150 lb Flanged</b>	<b>300 lb Flanged</b>	<b>600 lb Flanged</b>
	Cast Iron	30672737-001	30672738-001	-	-	-
	Cast Steel	-	-	30672739-001	30672740-001	30672741-001
8+		<b>150 lb Ring-Type Joint</b>	<b>300 lb Ring-Type Joint</b>	<b>600 lb Ring-Type Joint</b>		
	Cast Steel	30672742-001	30672743-001	30672744-001		
		<b>125 lb Flanged</b>	<b>250 lb Flanged</b>	<b>150 lb Flanged</b>	<b>300 lb Flanged</b>	<b>600 lb Flanged</b>
	Cast Iron	30672745-001	30672746-001	-	-	-
10+	Cast Steel	-	-	30672747-001	30672748-001	30672749-001
		<b>150 lb Ring-Type Joint</b>	<b>300 lb Ring-Type Joint</b>	<b>600 lb Ring-Type Joint</b>		
	Cast Steel	30672750-001	30672751-001	30672752-001		
		<b>125 lb Flanged</b>	<b>250 lb Flanged</b>	<b>150 lb Flanged</b>		
10+	Cast Iron	30672684-001	30672685-001	-		
	Cast Steel	-	-	30672686-001		

**Guarantee**

Products, auxiliaries and parts thereof, of NorøEast Controlsø manufacture, are guaranteed for a period of one year from the date of shipment against defective workmanship and material only, when properly installed, operated and serviced in accordance with NorøEast Controlsø recommendations. Replacement for items of NorøEast Controlsø manufacture will be made free of charge if proved to be defective within such time. No claim for special or consequential damages, transportation, or labor shall be allowed. Purchaser shall be solely responsible for determining suitability for use and in no event shall NorøEast Controls be liable in this respect. Equipment or parts manufactured by others but furnished by NorøEast Controls will be repaired or replaced, only to the extent provided in the original manufacturerø's warranty to NorøEast Controls. NorøEast Controls does not guarantee resistance to corrosion, erosion, abrasion or other sources of failure, nor does NorøEast Controls guarantee a minimum length of service. Failure of the purchaser to give prompt written notice of any alleged defect under this guarantee forthwith upon its discovery, or use and possession thereof after an attempt has been made and completed by someone other than NorøEast Controls or an authorized representative to remedy defects therein, or failure to return products or parts for replacement as herein provided, of failure to install, operate, and maintain said products or parts according to instructions provided by NorøEast Controls, of failure to pay the entire contract price when due, shall be a waiver of all rights under these representations.

The foregoing guarantee shall be null and void, if, after shipment from our factory, the item is modified in any way or component of another manufacturer, such as but not limited to; an actuator is attached to the item by valves & controls other than a NorøEast Controls Factory Service Personnel. All orders accepted shall be deemed accepted subject to this guarantee, which shall be exclusive of any other previous guarantee, and this shall be the only effective guarantee or warranty binding on NorøEast Controls, anything to the contrary contained in the purchase order, or represented by any agent or employee of NorøEast Controls, in writing or otherwise, notwithstanding, including but not limited to implied warranties.

THE FOREGOING OBLIGATIONS ARE IN LIEU OF ALL OTHER OBLIGATIONS AND LIABILITIES INCLUDING WARRANTIES OF FITNESS OR MERCHANTABILITY OR OTHERWISE, EXPRESSED OR IMPLIED IN FACT OR BY LAW, AND STATE NORøEAST CONTROLS AND EXCLUSIVE LIABILITY AND PURCHASERø'S EXCLUSIVE REMEDY FOR ANY CLAIM IN CONNECTION WITH THIS SALE OR FURNISHING OF SERVICES, GOODS, OR PARTS, THEIR OWN DESIGN, SUITABILITY FOR USE, INSTALLATION OR OPERATION.

**Limitation of Liability**

In no event shall NorøEast Controls be liable for any direct, indirect, special or consequential damages whatsoever, and NorøEast Controlsø liability, under no circumstances, will exceed the contract price for the goods and/or services for which liability is claimed. Any action for breach of contract must be commenced within 1 year after the cause of the action has occurred.

1000 Riverside Street, Portland, Maine 04103  
Ph: 207-781-8831 Fax: 207-781-8830

**Sales and Service**

NorøEast Controls representatives are located in major cities throughout the world.  
For the name of the representative nearest you, contact:

**Web site:** [www.allagashinternational.com](http://www.allagashinternational.com)    **E-Mail:** [sales@allagashinternational.com](mailto:sales@allagashinternational.com)

NorøEast reserves the right to incorporate our latest design and material changes without notice or obligation. Design features, materials of construction and dimensional data, as described in this bulletin, are provided for your information only and should not be relied upon unless confirmed in writing by NorøEast Controls. Certified drawings are available upon request.