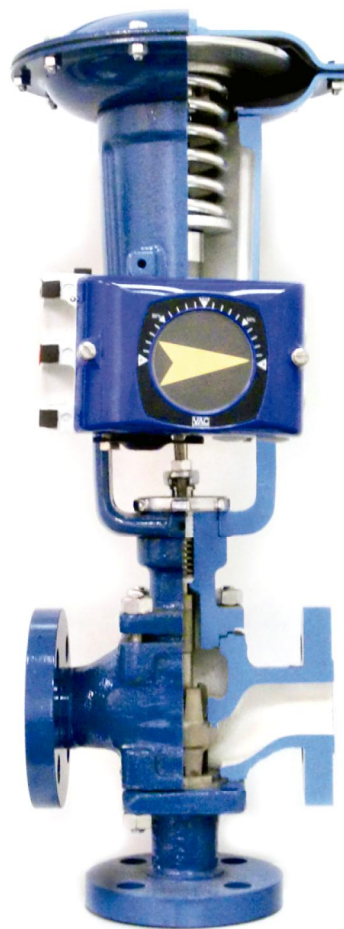


Instruction  
SP-1900-1NE  
December 2010

# NOR'EAST

— CONTROLS, INC.

A DIVISION OF ALLGASH INTERNATIONAL, INC.



## Spare Parts

### SERIES 1900 THREE-WAY, GLOBE VALVES

Previously manufactured by Dezurik® and Honeywell®

# Nor' East

## 3" - 12" 1900 Series Three-Way Globe Valves

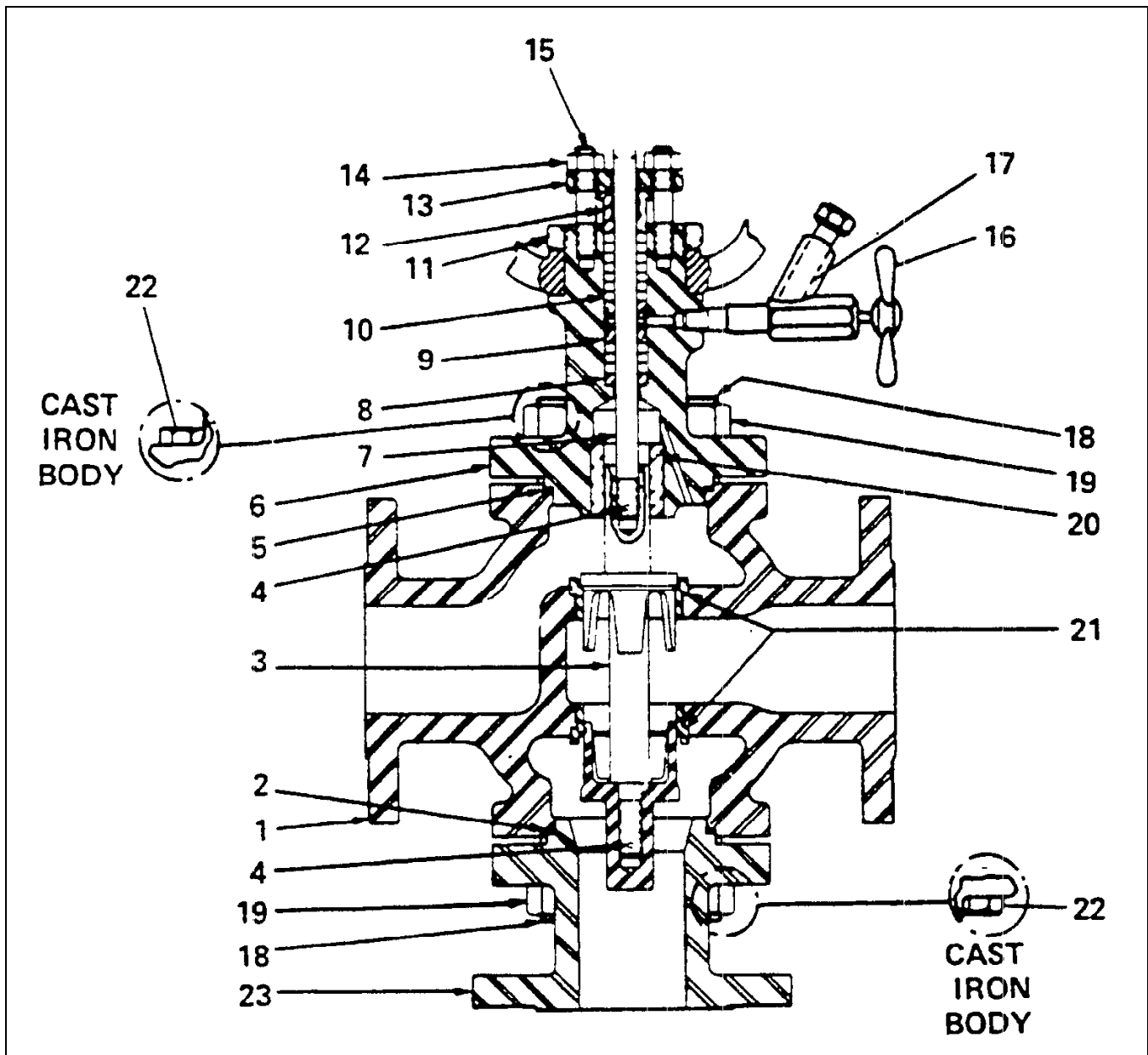


Figure 1: Series 1900 Valve

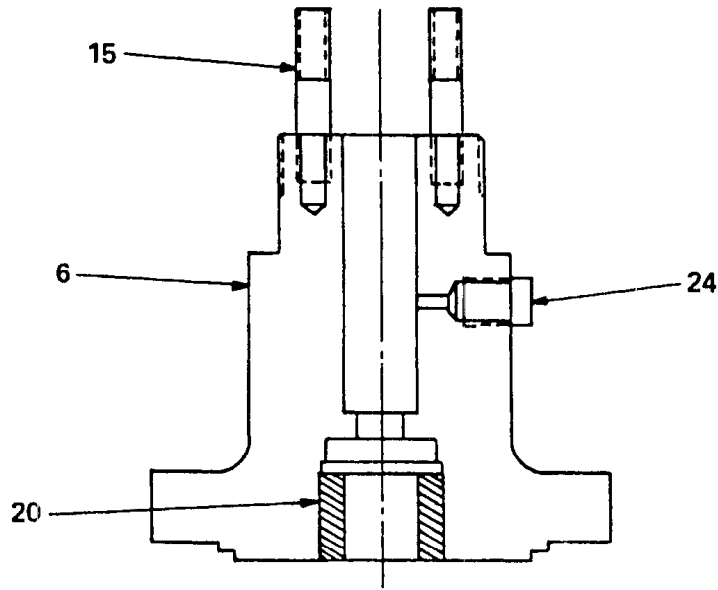


Figure 2. Plain Bonnet Subassembly.

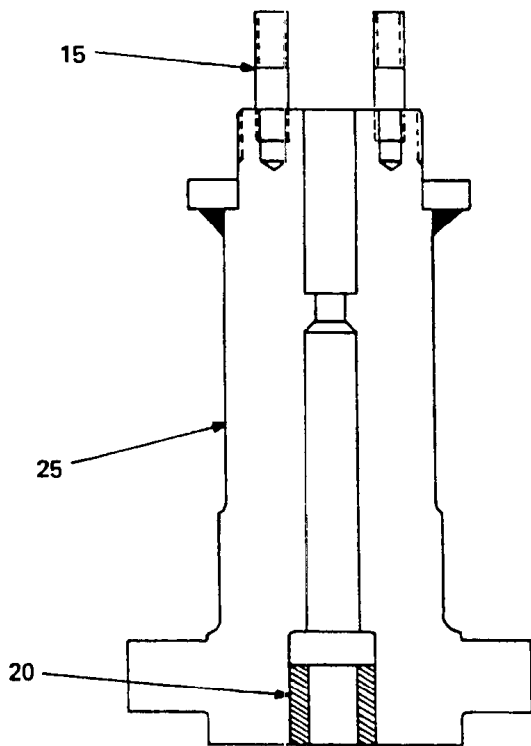


Figure 3. Insulating Column Bonnet Subassembly.

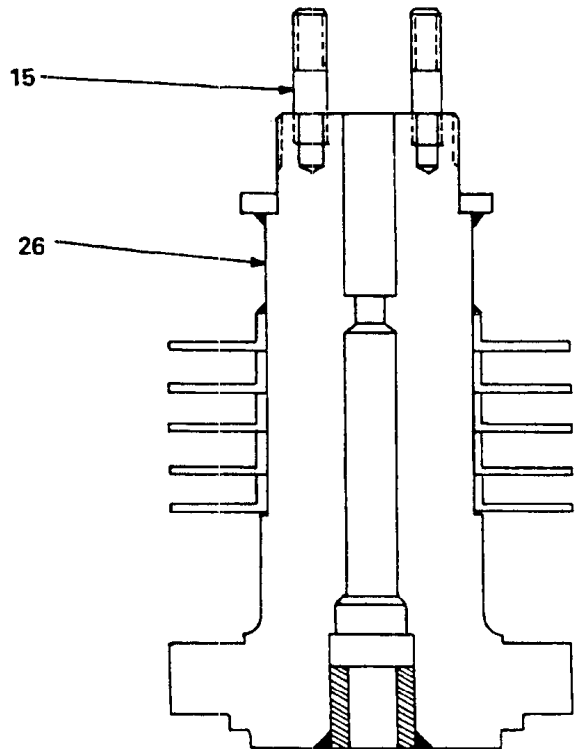


Figure 4. Radiation Fin Bonnet Subassembly.

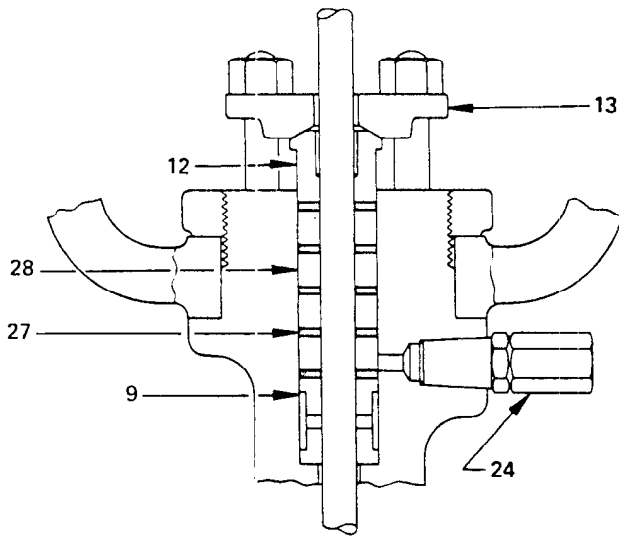


Figure 5. Shredded Teflon Packing, Bolted Packing Adjustment.

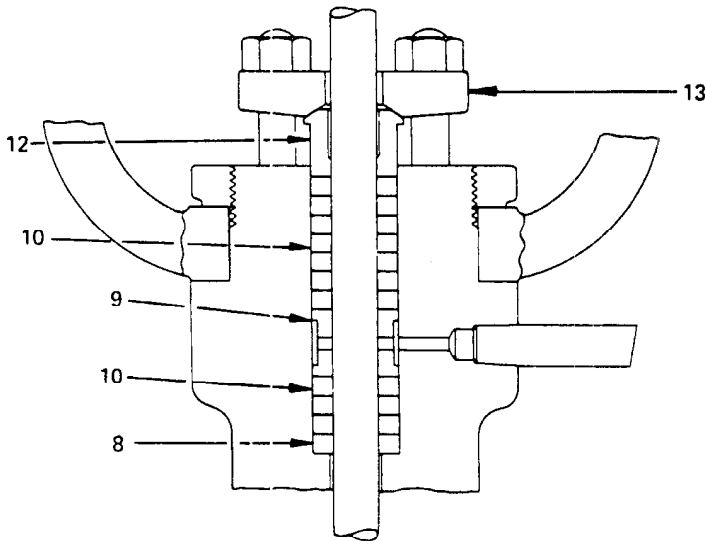
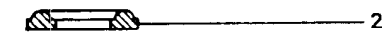
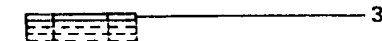
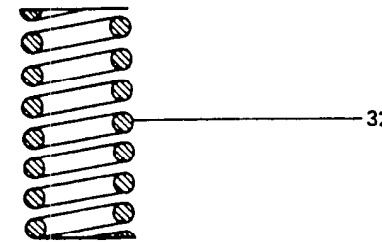
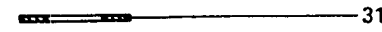
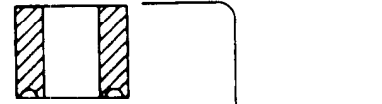
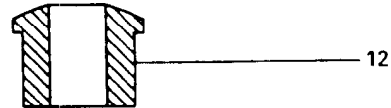
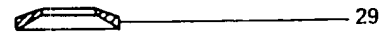


Figure 6 — Teflon Graphite or Laminated Graphite (Grafoil) Packing, Bolted Packing Adjustment

Figure 7. Spring-Loaded Teflon V-Ring Packing Arrangement.

# Nor' East

## 3" – 12" 1900 Series Three-Way Globe Valves

### Key No. 1 – Body

Valve Size	Rating and End Connection				
	Body Material	125 lb Flanged	250 lb Flanged	150 lb Flanged	300 lb Flanged
3"	Cast Iron	30672753-001	30672754-001	-	-
	Cast Steel	-	-	30672755-001	30672756-001
	S.S.	-	-	30672755-002	30672756-002
		<b>600 lb Flanged</b>	<b>150 lb Ring-Type Joint</b>	<b>300 lb Ring-Type Joint</b>	<b>600 lb Ring-Type Joint</b>
	Cast Iron	-	-	-	-
	Cast Steel	30672757-001	30672758-001	30672759-001	30672760-001
	S.S.	30672757-002	30672758-002	30672759-002	30672760-002
4"	<b>Body Material</b>	<b>125 lb Flanged</b>	<b>250 lb Flanged</b>	<b>150 lb Flanged</b>	<b>300 lb Flanged</b>
	Cast Iron	30672761-001	30672762-001	-	-
	Cast Steel	-	-	30672763-001	30672764-001
	S.S.	-	-	30672763-002	30672764-002
		<b>600 lb Flanged</b>	<b>150 lb Ring-Type Joint</b>	<b>300 lb Ring-Type Joint</b>	<b>600 lb Ring-Type Joint</b>
	Cast Iron	-	-	-	-
	Cast Steel	30672765-001	30672766-001	30672767-001	30672768-001
S.S.	30672765-002	30672766-002	30672767-002	30672768-002	
6"	<b>Body Material</b>	<b>125 lb Flanged</b>	<b>250 lb Flanged</b>	<b>150 lb Flanged</b>	<b>300 lb Flanged</b>
	Cast Iron	30672769-001	30672770-001	-	-
	Cast Steel	-	-	30672771-001	30672772-001
	S.S.	-	-	30672771-002	30672772-002
		<b>600 lb Flanged</b>	<b>150 lb Ring-Type Joint</b>	<b>300 lb Ring-Type Joint</b>	<b>600 lb Ring-Type Joint</b>
	Cast Iron	-	-	-	-
	Cast Steel	30672773-001	30672774-001	30672775-001	30672776-001
S.S.	30672773-002	30672774-002	30672775-002	30672776-002	
8"	<b>Body Material</b>	<b>125 lb Flanged</b>	<b>250 lb Flanged</b>	<b>150 lb Flanged</b>	<b>300 lb Flanged</b>
	Cast Iron	30672777-001	30672778-001	-	-
	Cast Steel	-	-	30672779-001	30672780-001
	S.S.	-	-	30672779-002	30672780-002
		<b>600 lb Flanged</b>	<b>150 lb Ring-Type Joint</b>	<b>300 lb Ring-Type Joint</b>	<b>600 lb Ring-Type Joint</b>
	Cast Iron	-	-	-	-
	Cast Steel	30672781-001	30672782-001	30672783-001	30672784-001
S.S.	30672781-002	30672782-002	30672783-002	30672784-002	
10"	<b>Body Material</b>	<b>125 lb Flanged</b>	<b>250 lb Flanged</b>	<b>150 lb Flanged</b>	<b>300 lb Flanged</b>
	Cast Iron	30672785-001	30672786-001	-	-
	Cast Steel	-	-	30672787-001	30672788-001
	S.S.	-	-	30672787-002	30672788-002
		<b>600 lb Flanged</b>	<b>150 lb Ring-Type Joint</b>	<b>300 lb Ring-Type Joint</b>	<b>600 lb Ring-Type Joint</b>
	Cast Iron	-	-	-	-
	Cast Steel	30672789-001	30672790-001	30672791-001	30672792-001
S.S.	30672789-002	30672790-002	30672791-002	30672792-002	
12"	<b>Body Material</b>	<b>125 lb Flanged</b>	<b>250 lb Flanged</b>	<b>150 lb Flanged</b>	<b>300 lb Flanged</b>
	Cast Iron	30672793-001	30672794-001	-	-

# Nor' East

## 3" – 12" 1900 Series Three-Way Globe Valves

### Key No. 2 – Tailpiece Gasket

Valve Size	Body Material	Plain Bonnet	Insul Col Low Range	Insul Col High Range	Radiating Fin
3+	Cast Iron	30064005-859	30064005-859	-	-
	Cast Steel	30042019-859	30042019-859	-	30042019-841
	S. S.	30042019-365	30042019-854	30042019-365	30042019-841
4+	Cast Iron	30064014-859	30064014-859	-	30064014-841
	Cast Steel	30022748-859	30022748-859	-	30022748-841
	S. S.	30022748-365	30022748-365	-	30022748-841
6+	Cast Iron	30064015-859	30064015-859	-	30064015-841
	Cast Steel	30023041-859	30023041-859	-	30023041-841
	S. S.	30023041-365	30023041-365	-	30023041-841
8+	Cast Iron	30064013-859	30064013-859	-	30064013-841
	Cast Steel	30026042-859	30026042-859	-	30026042-841
	S. S.	30026042-365	30026042-365	-	30026042-841
10+	Cast Iron	30064009-859	30064009-859	-	30064009-841
	Cast Steel	30011410-859	30011410-859	-	30011410-841
	S. S.	30011410-365	30011410-365	-	30011410-841
12+	Cast Iron	30064084-859	30064084-859	-	-

### Key No. 3 – Plug Subassembly (includes upper and lower plugs)

Valve Size	Plain Bonnet, Insul Col & Radiating Fin	Radiating Fin (601 to 750° F)
3+w/01-13 Actr	30043630-313	30043631-313
3+w/01-15 Actr	30043632-313	30043633-313
	<b>Standard Temperature</b>	<b>High Temperature</b>
4+w/01-13 Actr	30043634-313	30043635-313
4+w/01-15 Actr	30043636-313	30043637-313
6+	30043638-313	30043639-313
8+	30043640-313	30043641-313
10+	30046821-313	-
12+	30064848-313	-

### Key No. 4 – Pin

Valve Size	Upper Position	Lower Position
3+w/01-13 Actr	30029934-322	30029935-322
3+w/01-15 Actr	30029935-322	30043251-322
4+	30043251-322	30043251-322
6+	30043251-322	30032106-322
8+	30026563-322	30026563-322
10+	30032108-322	30032108-322
12+	30041790-322	30041790-322

# Nor' East

## 3" – 12" 1900 Series Three-Way Globe Valves

### Key No. 5 – Body Gasket

Valve Size	Body Material	Plain Bonnet	Insul Col	Radiating Fin
3+	Cast Iron	30006875-859	30006875-859	30006875-841
	Cast Steel	30010915-859	30010915-859	30010915-841
	S. S.	30010915-365	30010915-854	30010915-841
4+	Cast Iron	30064006-859	30064006-859	30064006-841
	Cast Steel	30010880-859	30010880-859	30010880-841
	S. S.	30010880-365	30010880-365	30010880-841
6+	Cast Iron	30064007-859	30064007-859	30064007-841
	Cast Steel	30011254-859	30011254-859	30011254-841
	S. S.	30011254-365	30011254-365	30011254-841
8+	Cast Iron	30064008-859	30064008-859	30064008-841
	Cast Steel	30011191-859	30011191-859	30011191-841
	S. S.	30011191-365	30011191-365	30011191-841
10+	Cast Iron	30064009-859	30064009-859	30064009-841
	Cast Steel	30011410-859	30011410-859	30011410-841
	S. S.	30011410-365	30011410-365	30011410-841
12+	Cast Iron	30064010-859	30064010-859	-

### Key No. 6 – Bonnet Subassembly (includes Packing Flange Studs and Guide Bushing)

Valve Size	Cast Iron	Cast Steel	S.S.
3+w/01-13 Actr	30672873-001	30672883-001	30672883-002
3+w/01-15 Actr	30672909-001	30672910-001	30672910-001
4+w/01-13 Actr	30672874-001	30672884-001	30672884-002
4+w/01-15 Actr	30672911-001	30672912-001	30672912-002
6+	30672875-001	30672885-001	30672885-002
8+	30672876-001	30672886-001	30672886-002
10+	30672877-001	30672887-001	30672887-002
12+	30672878-001	-	-

### Key No. 7 – Valve Stem

Valve Size	Plain Bonnet	Insul Column & Radiating Fin
3+w/01-13 Actr	30028098-316	30037438-316
3+w/01-15 Actr	30049112-316	30049113-316
4+w/01-13 Actr	30010677-316	30036828-316
4+w/01-15 Actr	30049114-316	30049115-316
6+	30049114-316	30049179-316
8+	30064484-316	30064174-316
10+	30064484-316	30065079-316
12+	30064483-316	30064847-316

### Key No. 8 – Packing Retaining Ring

Valve Size	Shredded Teflon	Teflon Graphite
3+, 4+, 6+w/01-13 Actr	30035640-316	30001722-316
3+, 4+, 6+w/01-15 Actr	30045230-316	30010144-316
8+ & 10+	30035060-316	30011491-316
12+	30043211-316	30037992-316

# Nor' East

## 3" – 12" 1900 Series Three-Way Globe Valves

Key No. 9 – Lantern Ring	
Valve Size	
3+, 4+, 6+w/01-13 Actr	30036802-303
3+, 4+, 6+w/01-15 Actr	30036775-303
8+& 10+	30033110-303
12+	30037991-316

### Key No. 10 - Packing

Valve Size	Teflon Graphite	Qty	Laminated Graphite (Grafoil)	Qty
3+, 4+, 6+w/01-13 Actr	30042563-840	5	30018623-127	10
3+, 4+, 6+w/01-15 Actr	30045231-840	5	30018626-127	10
8+& 10+	30043548-840	5	30018631-127	10
12+	-	-	30022621-127	10

### Key No. 11 – Yoke Lock Nut

Valve Size	
3+, 4+w/01-13 Actr	30036962-392
3+, 4+w/01-15 Actr	30036963-392
6:, 8+& 10+	30036963-392
12+	30037980-193

### Key No. 12 – Packing Follower

Valve Size	
3+, 4+, 6+w/01-13 Actr	30035639-303
3+, 4+, 6+w/01-15 Actr	30035276-303
8+& 10+	30037243-303
12+	30037969-303

### Key No. 13 – Packing Flange

Valve Size	Shredded Teflon, Teflon Graphite	Laminated Graphite (Grafoil)
3+, 4+w/01-13 Actr	30036959-392	30065375-392
3+, 4+w/01-15 Actr	30036960-392	30065377-392
6+, 8+& 10+	30036960-392	-
12+	30037968-193	-

### Key No. 14 – Packing Flange Nut

Valve Size		Qty
3+, 4+w/01-13 Actr	30032523-272	2
3+, 4+w/01-15 Actr	30032534-272	2
6:, 8+, 10+& 12+	30032534-272	2

### Key No. 15 – Packing Flange Stud

Valve Size		Qty
3+, 4+w/01-13 Actr	30037325-271	2
3+, 4+w/01-15 Actr	30037244-271	2
6:, 8+& 10+	30037244-271	2
12+	30039583-271	2



**Key No. 15 – Packing Flange Stud**

Valve Size		Qty
3+, 4+w/01-13 Actr	30037325-271	2
3+, 4+w/01-15 Actr	30037244-271	2
6-, 8+& 10+	30037244-271	2
12+	30039583-271	2

**Key No. 16 – Packing Lubricator**

Valve Size	Body Material	
3+	Cast Iron	30020560-235
3+	Cast Steel & S.S.	30015014-235
4+thru 12+	All	30065700-235

**Key No. 17 – Lubricant – box of 24 Sticks**

30043038-921*		
Temperature Range °F	Color	Unsuitable For
60 to 650	White	Liquid light hydrocarbons, aromatic solvnets, nitrating acids
* Normally supplied. For specific applications refer to Engineering spec V.E.D. . 4-5.		

**Key No. 18 – Body and Tailpiece Studs**

Valve Size	Body			Tailpiece		
	Cast Steel	S.S.	Qty	Cast Steel	S.S.	Qty
3+	30020202-271	30020202-268	6	30044570-271	30044570-268	8
	<b>Body &amp; Tailpiece</b>		<b>Qty</b>			
4+	30017455-271		20			
6+	30020064-271		20			
8+C.I. Body	30043528-271		24			
8+S.S. Body	30044619-271		24			
10+	30045988-271		32			
12+	30045988-271		40			

**Key No. 19 – Body and Tailpiece Nuts**

Valve Size	Body			Tailpiece		
	Cast Steel	S.S.	Qty	Cast Steel	S.S.	Qty
3+	30020203-272	30020203-267	6	30020188-272	30020188-267	8
	<b>Body &amp; Tailpiece</b>		<b>Qty</b>			
4+	30020203-272		20			
6+	30020201-272		20			
8+	30020207-272		24			
10+	30026354-272		32			
12+	30026354-272		40			

# Nor' East

## 3" – 12" 1900 Series Three-Way Globe Valves

### Key No. 20 – Guide Bushing

Valve Size	Cast Iron, Cast Steel	S.S.
3+w/01-13 Actr	30001389-431	30001389-383
3+w/01-15 Actr	30001521-431	30001521-383
4+	30001521-431	30001521-383
6+	30001521-431	30001521-383
8+	30064176-431	30064176-383
10+	30040001-431	30040001-383
12+	30041321-431	-

### Key No. 21 – Seat Rings

Valve Size		Qty
3+	30001195-316	2
4+	30014126-316	2
6+	30012578-316	2
8+	30014660-316	2
10+	30014678-316	2
12+	30014719-316	2

### Key No. 22 – Body and Tailpiece CapScrew – Cast Iron Bodies only

Valve Size	Body	Qty	Tailpiece	Qty
3+	30041094-264	6	30041083-264	8
	<b>Body &amp; Tailpiece</b>	<b>Qty</b>		
4+	30064001-264	20		
6+	30042511-264	20		

### Key No. 23 – Tailpiece

Valve Size	Rating and End Connection				
	Body Material	125 lb Flanged	250 lb Flanged	150 lb Flanged	300 lb Flanged
3"	Cast Iron	30064113-200	30064114-200	-	-
	Cast Steel	-	-	30043555-250	30043557-250
	S.S.	-	-	30043555-313	30043557-313
		<b>600 lb Flanged</b>	<b>150 lb Ring-Type Joint</b>	<b>300 lb Ring-Type Joint</b>	<b>600 lb Ring-Type Joint</b>
	Cast Iron	-	-	-	-
	Cast Steel	30043559-250	30043561-250	30043563-250	30043565-250
	S.S.	30043559-313	30043561-313	30043563-313	30043565-313
4"	<b>Body Material</b>	<b>125 lb Flanged</b>	<b>250 lb Flanged</b>	<b>150 lb Flanged</b>	<b>300 lb Flanged</b>
	Cast Iron	30043567-200	30043569-200	-	-
	Cast Steel	-	-	30043571-250	30043573-250
	S.S.	-	-	30043571-313	30043573-313
		<b>600 lb Flanged</b>	<b>150 lb Ring-Type Joint</b>	<b>300 lb Ring-Type Joint</b>	<b>600 lb Ring-Type Joint</b>
	Cast Iron	-	-	-	-
	Cast Steel	30043575-250	30043577-250	30043579-250	30043581-250
S.S.	30043575-313	30043577-313	30043579-313	30043581-313	

# Nor' East

## 3" – 12" 1900 Series Three-Way Globe Valves

### Key No. 23 – Tailpiece (continued)

Valve Size	Rating and End Connection				
	Body Material	125 lb Flanged	250 lb Flanged	150 lb Flanged	300 lb Flanged
6"	Cast Iron	30043583-200	30043585-200	-	-
	Cast Steel	-	-	30043587-250	30043589-250
	S.S.	-	-	30043587-313	30043589-313
		<b>600 lb Flanged</b>	<b>150 lb Ring-Type Joint</b>	<b>300 lb Ring-Type Joint</b>	<b>600 lb Ring-Type Joint</b>
	Cast Iron	-	-	-	-
	Cast Steel	30043591-250	30043593-250	30043595-250	30043597-250
	S.S.	30043591-313	30043593-313	30043595-313	30043597-313
8"	<b>Body Material</b>	<b>125 lb Flanged</b>	<b>250 lb Flanged</b>	<b>150 lb Flanged</b>	<b>300 lb Flanged</b>
	Cast Iron	30043599-200	30043601-200	-	-
	Cast Steel	-	-	30043603-250	30043605-250
	S.S.	-	-	30043603-313	30043605-313
		<b>600 lb Flanged</b>	<b>150 lb Ring-Type Joint</b>	<b>300 lb Ring-Type Joint</b>	<b>600 lb Ring-Type Joint</b>
	Cast Iron	-	-	-	-
	Cast Steel	30043607-250	30043609-250	30043611-250	30043613-250
S.S.	30043607-313	30043609-313	30043611-313	30043613-313	
10"	<b>Body Material</b>	<b>125 lb Flanged</b>	<b>250 lb Flanged</b>	<b>150 lb Flanged</b>	<b>300 lb Flanged</b>
	Cast Iron	30043615-200	30043617-200	-	-
	Cast Steel	-	-	30043619-250	30043621-250
	S.S.	-	-	30043619-313	30043621-313
		<b>600 lb Flanged</b>	<b>150 lb Ring-Type Joint</b>	<b>300 lb Ring-Type Joint</b>	<b>600 lb Ring-Type Joint</b>
	Cast Iron	-	-	-	-
	Cast Steel	30043623-250	30043625-250	30043627-250	30043629-250
S.S.	30043623-313	30043625-313	30043627-313	30043629-313	
12"	<b>Body Material</b>	<b>125 lb Flanged</b>	<b>250 lb Flanged</b>	<b>150 lb Flanged</b>	<b>300 lb Flanged</b>
	Cast Iron	30046802-200	30064151-200	-	-

### Key No. 24 – Pipe Plug

Valve Size	Cast Iron, Cast Steel	S.S.
3+thru 10+	30041447-264	30041477-322
12+	30041447-264	-

### Key No. 25 – Bonnet Subassembly – Insulating Column – includes Packing Flange Studs, Guide Bushing and w/01-15 Actr, Collar included

Valve Size	Cast Iron	Cast Steel	S.S.
3+w/01-13 Actr	30672895-001	30672896-002	30672896-004
3+w/01-15 Actr	30672913-001	30672914-002	30672914-004
4+w/01-13 Actr	30672897-001	30672898-002	30672898-004
4+w/01-15 Actr	30672915-001	30672916-002	30672916-004
6+	30672899-001	30672900-002	30672900-004
8+	30672901-001	30672902-002	30672902-004
10+	30672903-001	30672904-002	30672904-010
12+	30672905-001	-	-

# Nor' East

## 3" – 12" 1900 Series Three-Way Globe Valves

**Key No. 26 – Bonnet Subassembly – Extension Column – Radiating Fin - includes Packing Flange Studs, Guide Bushing, Fins and w/01-15 Actr, Collar included**

Valve Size	Cast Steel	S.S.
3+w/01-13 Actr	30672896-001	30672896-003
3+w/01-15 Actr	30672914-001	30672914-003
4+w/01-13 Actr	30672898-001	30672898-003
4+w/01-15 Actr	30672916-001	30672916-003
6+	30672900-001	30672900-003
8+	30672902-001	30672902-003
10+	30672904-001	30672904-003

**Key No. 27 — Teflon Spacer**

Valve Size		Qty
3+, 4+, 6+w/01-13 Actr	30023517-854	5
3+, 4+, 6+w/01-15 Actr	30023519-854	5
8+ & 10+	30023816-854	5
12+	30040379-854	5

**Key No. 28 — Teflon Packing**

Valve Size		Qty
3+, 4+, 6+w/01-13 Actr	30023808-844	4
3+, 4+, 6+w/01-15 Actr	30023814-844	4
8+ & 10+	30023817-844	4
12+	30040378-844	4

**Key No. 29 – Stem Wiper**

Valve Size	Upper	Lower
3+w/01-13 Actr	30065388-854	30065415-862
3+w/01-15 Actr	30065391-854	30065417-862

**Key No. 30 – Packing Subassembly – Spring Loaded Teflon V-ring**

Valve Size	
3+w/01-13 Actr	30065397-936
3+w/01-15 Actr	30065400-936

**Key No. 31 – Washer**

Valve Size		Qty
3+w/01-13 Actr	30065406-313	2
3+w/01-15 Actr	30065409-316	3

**Key No. 32 – Spring**

Valve Size	
3+w/01-13 Actr	30065384-461
3+w/01-15 Actr	30065381-461

**Key No. 33 – Arrow (not illustrated)**

30043227-454
--------------

**Key No. 34 – Screw or Arrow (not illustrated)**

Valve Size		Qty
3+, 4+, 6+	30020617-322	2
8+, 10+, 12+	30021923-322	2

**Guarantee**

Products, auxiliaries and parts thereof, of NorøEast Controlsø manufacture, are guaranteed for a period of one year from the date of shipment against defective workmanship and material only, when properly installed, operated and serviced in accordance with NorøEast Controlsø recommendations. Replacement for items of NorøEast Controlsø manufacture will be made free of charge if proved to be defective within such time. No claim for special or consequential damages, transportation, or labor shall be allowed. Purchaser shall be solely responsible for determining suitability for use and in no event shall NorøEast Controls be liable in this respect. Equipment or parts manufactured by others but furnished by NorøEast Controls will be repaired or replaced, only to the extent provided in the original manufacturerø's warranty to NorøEast Controls. NorøEast Controls does not guarantee resistance to corrosion, erosion, abrasion or other sources of failure, nor does NorøEast Controls guarantee a minimum length of service. Failure of the purchaser to give prompt written notice of any alleged defect under this guarantee forthwith upon its discovery, or use and possession thereof after an attempt has been made and completed by someone other than NorøEast Controls or an authorized representative to remedy defects therein, or failure to return products or parts for replacement as herein provided, of failure to install, operate, and maintain said products or parts according to instructions provided by NorøEast Controls, of failure to pay the entire contract price when due, shall be a waiver of all rights under these representations.

The foregoing guarantee shall be null and void, if, after shipment from our factory, the item is modified in any way or component of another manufacturer, such as but not limited to; an actuator is attached to the item by valves & controls other than a NorøEast Controls Factory Service Personnel. All orders accepted shall be deemed accepted subject to this guarantee, which shall be exclusive of any other previous guarantee, and this shall be the only effective guarantee or warranty binding on NorøEast Controls, anything to the contrary contained in the purchase order, or represented by any agent or employee of NorøEast Controls, in writing or otherwise, notwithstanding, including but not limited to implied warranties.

THE FOREGOING OBLIGATIONS ARE IN LIEU OF ALL OTHER OBLIGATIONS AND LIABILITIES INCLUDING WARRANTIES OF FITNESS OR MERCHANTABILITY OR OTHERWISE, EXPRESSED OR IMPLIED IN FACT OR BY LAW, AND STATE NORøEAST CONTROLS AND EXCLUSIVE LIABILITY AND PURCHASERø'S EXCLUSIVE REMEDY FOR ANY CLAIM IN CONNECTION WITH THIS SALE OR FURNISHING OF SERVICES, GOODS, OR PARTS, THEIR OWN DESIGN, SUITABILITY FOR USE, INSTALLATION OR OPERATION.

**Limitation of Liability**

In no event shall NorøEast Controls be liable for any direct, indirect, special or consequential damages whatsoever, and NorøEast Controlsø liability, under no circumstances, will exceed the contract price for the goods and/or services for which liability is claimed. Any action for breach of contract must be commenced within 1 year after the cause of the action has occurred.

1000 Riverside Street, Portland, Maine 04103  
Ph: 207-781-8831 Fax: 207-781-8830

**Sales and Service**

NorøEast Controls representatives are located in major cities throughout the world.  
For the name of the representative nearest you, contact:

**Web site:** [www.allagashinternational.com](http://www.allagashinternational.com)    **E-Mail:** [sales@allagashinternational.com](mailto:sales@allagashinternational.com)

NorøEast reserves the right to incorporate our latest design and material changes without notice or obligation. Design features, materials of construction and dimensional data, as described in this bulletin, are provided for your information only and should not be relied upon unless confirmed in writing by NorøEast Controls. Certified drawings are available upon request.