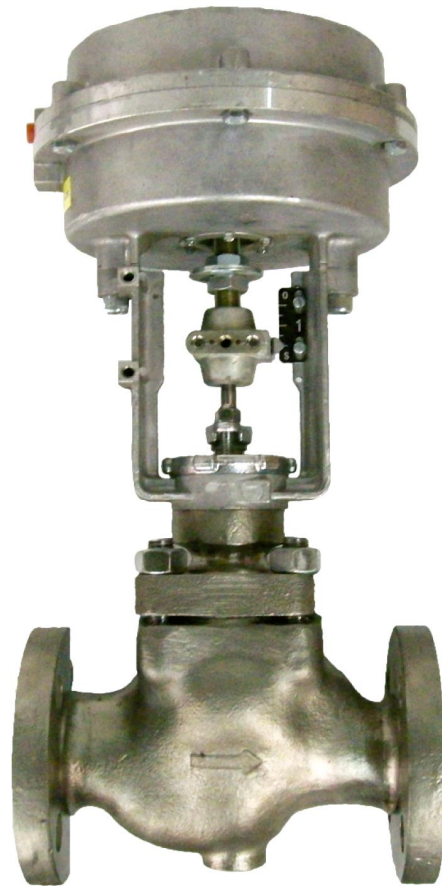


Instruction
SP-9500-1NE
December 2010

NOR'EAST

— CONTROLS, INC.
A DIVISION OF ALLGASH INTERNATIONAL, INC.



Spare Parts

SERIES 9500 DOUBLE SEATED, CAGE TYPE GLOBE VALVES

Previously manufactured by Dezurik® and Honeywell®

List of Recommended Spare Parts

Parts	Figures							
	1	2	3	4	5	6	7	8
Trim Replacement Kit*		●						
Cage and Body Gasket Replacement Kit**			●					
Extension Column Bonnet Gasket					●			
Teflon Spacer						●		
Packing						●	●	●

Note: Refer to appropriate figures for specific part numbers and quantities.

* Replacement trim components are not available separately. These components are provided only in kit form. Trim replacement kits contain:

1. Cage
2. Plug and stem assembly, (Kits for 6, 8, 10 and 12-inch valves are supplied with plug and stem preassembled and pinned.)

** Replacement cage and body gaskets are not available separately. These gaskets are provided only in kit form. Cage and body gasket replacement kits contain:

1. One top cage gasket
2. One bottom cage gasket
3. One body gasket

●Figures in which recommended spare parts are shown.

Table of Standard Valve Lubricants

Lubricant		Temperature Range	Color	Principal Services	Unsuitable for	Package Type
Type	Part No.					
147	30027608-147	-6.7 to +51.7° C (20 to 125° F)	White	Acids, alcohols, alkalies, aqueous solutions, foods, glycerine, dyes (alcohol soluble), water, suitable for nitrating acids	Organic solvents	Box of 25 sticks
234	30686485-001	-40 to +204.4° C (-40 to +400° F)	White	A silicone lubricant for hot air, hot water, steam, high vacuum, acetic acid, acetic anhydride, ethyl alcohol below 250° F, natural gas compressor discharge, food and pharmaceutical applications as determined by the user	Gasoline and light liquid hydrocarbons, strong mineral acids, aromatic and chlorinated solvents	Individual tubes
555	30044008-555	-23.4 to +260° C (-10 to +500° F)	Brown	General purpose lubricant for hydrocarbon liquids and gases including gasoline, kerosene, fuel and lubricating oils, crude distillates, sweet or sour natural and manufactured gas with water or organic condensate, LGP systems, dilute acids and alkalies, glycols, textile plants, aqueous solutions, water	Aromatic solvents, strong chemicals	Box of 25 sticks
755	30027616-755	-1.1 to +148.9° C (30 to 300° F)	Pink	benzene, butane, solvent naphthas, toluene, gasoline containing benzene or large amounts of aromatic hydrocarbons, carbon disulfide, carbon tetrachloride, animal and vegetable oils	Strong acids, nitrating acids, alcohols, water aqueous solutions	Box of 25 sticks
860	30044009-860	-59.4 to +54.4° C (-75 to +130° F)	Red	Natural gas transmission lines, suitable for pressures up to 1000 psi under variable extreme climatic temperatures. Air and inert gases at sub-zero temperatures	Liquid hydrocarbon solvents, strong chemicals	Box of 25 sticks
921	30044038-921	-15.6 to +343.3° C (60 to 650° F)	White	Strong acids and alkalies, alcohols, glycerine and glycols, amines, aqueous solutions, hot water and hot asphalt, general soap plant lubricant for fats and oils, fatty acids, caustic and steam, where white color is desired, hot hydrocarbon gases and vapors including high temperature cracking and reforming (TCR) general hot oil service, solvent and acid treatment of mineral and lubricating oils, using phenol, cresylic acid, furfural, steam	Liquid light hydrocarbons, aromatic solvents, nitrating acids	Box of 25 sticks

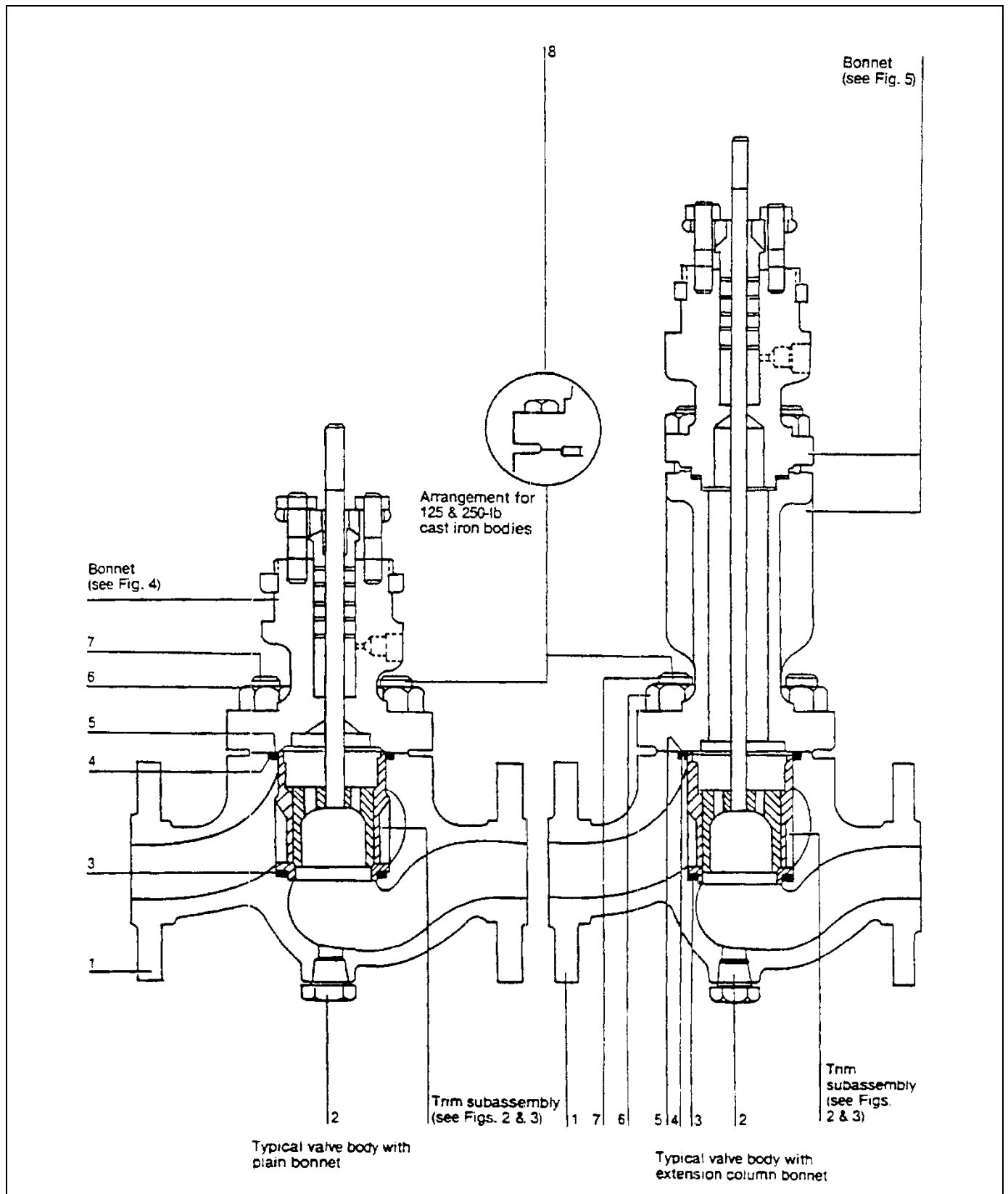


Figure 1 - Key Identification

Reference: Figure 1A

Key No.	Description	Part No.	Qty	Valve Size (inches)						
				1	1-1/4	1-1/2	2	2-1/2	3	
1	Valve Body	Refer to SPX	1							
2	Pipe Plug, Hex Hd	30067970-item	1	A	A	A				
		30005483-item	1				A	A	A	
		30021843-item	1							
3	Gasket, Bottom Cage ▲	30067917-367,-477	1	B1	B1					
		30068021-367,-477	1			B1				
		30067724-367,-477	1				B1			
		30068042-367,-477	1					B1		
		30068112-367,-477	1						B1	
		30068129-367,-477	1							
		30681859-001,-005	1							
		30681859-002,-006	1							
		30681859-003,-007	1							
		30681859-004,-008	1							
4	Gasket, Body ▲	30067916-367,-477	1	B1	B1					
		30068020-367,-477	1			B1				
		30067723-367,-477	1				B1			
		30068041-367,-477	1					B1		
		30068111-367,-477	1						B1	
		30068130-367,-477	1							
		30068951-859,-841	1							
		30672432-859,-841	1							
		30672429-859,-841	1							
		30672069-859,-841	1							
5	Gasket, Top Cage ▲	30730889-001,-007	1	B4	B4					
		30730889-002,-008	1			B4				
		30730889-003,-009	1				B4			
		30730889-004,-010	1					B4		
		30680819-002,-004	1						B5	
		30680819-001,-003	1							
		30672199-001,-002	1							
		30672173-001,-002	1							
6	Hex Nut	30020188-item	4	C	C					
		30020203-item	4			C	C			
		30020201-item	E					C	C	
		30020207-item	E							
		30020065-item	E							
		30026354-item	E							
7	Stud, Valve Body	30065627-item	4	D	D					
		30037812-item	4			D	D			
		30037813-item	E					D	D	
		30044619-item	E							
		30068993-item	E							
		30068319-item	E							
8	Cap Screw	30041083-264	4	●	●					
		30064001-264	4			●	●			
		30027317-264	E					●	●	
		30679948-001	E							
		30068727-264	E							
		30068998-264	E							

Notes:
▲ = Recommended spare part
Selection: Identified by ● or by letter

A. Select desired suffix for pipe plug part number and use in place of %item+as follows;
Cast Iron valve body: -264
Cast Steel valve body: -264
No. 316 Stainless Steel valve body: -322

B. Select desired suffix for gasket part number suffix as follows:
Low Temperature Applications
max. temp. = +232°C (+450°F)
B1 -477
B2 -001, -002, -003, -004
B3 -001, -859
B4 -001, -002, -003, -004
B5 -001, -002
B6 -001
High Temperature Applications
max. temp. = +399°C (+750°F)
B1 -367
B2 -005, -006, -007, -008
B3 -002, -841
B4 -007, -008, -009, -010
B5 -003, -004
B6 . 002

C. Select desired suffix for hex nut part number and use in place of %item+as follows:
Alloy Steel (zinc plated): -267
[For Low temperature range of . 101° to 0°C (-150° to +32°F)]
Plain Steel (zinc plated): -272
[For High temperature range of -29° to +399°C (-20° to +750°F)]

D. The nut end of the studs contains a code for identification. Select desired suffix for stud part number and use in place of %item+as follows:
Code L7: -268
Code B7: -271
Code B14 or B16: -393

E. Quantity is 6, 8, 10, 14, 14, 16 and 20 for valves 2-1/2, 3, 4, 6, 8, 10 and 12 inches respectively.

Reference: Figure 1B

Key No.	Description	Part No.	Qty	Valve Size (inches)					Notes:
				4	6	8	10	12	
1	Valve Body	Refer to SPX	1						<p>▲ = Recommended spare part ● = Selection</p> <p>A. Select desired suffix for pipe plug part number and use in place of %item+as follows: Cast Iron valve body: -264 Cast Steel valve body: -264 No. 316 Stainless Steel valve body: -322</p> <p>B. Select desired suffix for gasket part number suffix as follows: Low Temperature Applications max. temp. = +232°C (+450°F) B1 -477 B2 -001, -002, -003, -004 B3 -001, -859 B4 -001, -002, -003, -004 B5 -001, -002 B6 -001</p> <p>High Temperature Applications max. temp. = +399°C (+750°F) B1 -367 B2 -005, -006, -007, -008 B3 -002, -841 B4 -007, -008, -009, -010 B5 -003, -004 B6 . 002</p> <p>C. Select desired suffix for hex nut part number and use in place of %item+as follows: Alloy Steel (zinc plated): -267 [For Low temperature range of . 101° to 0°C (-150° to +32°F)] Plain Steel (zinc plated): -272 [For High temperature range of -29° to +399°C (-20° to +750°F)]</p> <p>D. The nut end of the studs contains a code for identification. Select desired suffix for stud part number and use in place of %item+as follows: Code L7: -268 Code B7: -271 Code B14 or B16: -393</p> <p>E. Quantity is 6, 8, 10, 14, 14, 16 and 20 for valves 2-1/2, 3, 4, 6, 8, 10 and 12 inches respectively.</p>
2	Pipe Plug, Hex Hd	30067970-item	1						
		30005483-item	1	A	A	A			
		30021843-item	1				A	A	
3	Gasket, Bottom Cage ▲	30067917-367,-477	1						
		30068021-367,-477	1						
		30067724-367,-477	1						
		30068042-367,-477	1						
		30068112-367,-477	1						
		30068129-367,-477	1	B1					
		30681859-001,-005	1		B2				
		30681859-002,-006	1			B2			
		30681859-003,-007	1				B2		
30681859-004,-008	1					B2			
4	Gasket, Body ▲	30067916-367,-477	1						
		30068020-367,-477	1						
		30067723-367,-477	1						
		30068041-367,-477	1						
		30068111-367,-477	1						
		30068130-367,-477	1	B1					
		30068951-859,-841	1		B3				
		30672432-859,-841	1			B3			
		30672429-859,-841	1				B3		
30672069-859,-841	1					B3			
5	Gasket, Top Cage ▲	30730889-001,-007	1						
		30730889-002,-008	1						
		30730889-003,-009	1						
		30730889-004,-010	1						
		30680819-002,-004	1						
		30680819-001,-003	1	B5					
		30672199-001,-002	1		B6				
		30672173-001,-002	1			B6			
		30672115-001,-002	1				B6		
30672094-001,-002	1					B6			
6	Hex Nut	30020188-item	4						
		30020203-item	4						
		30020201-item	E	C	C				
		30020207-item	E			C			
		30020065-item	E				C		
		30026354-item	E					C	
7	Stud, Valve Body	30065627-item	4						
		30037812-item	4						
		30037813-item	E	D	D				
		30044619-item	E			D			
		30068993-item	E				D		
		30068319-item	E					D	
8	Cap Screw	30041083-264	4						
		30064001-264	4						
		30027317-264	E	●					
		30679948-001	E		●				
		30068727-264	E			●			
		30068998-264	E				●	●	

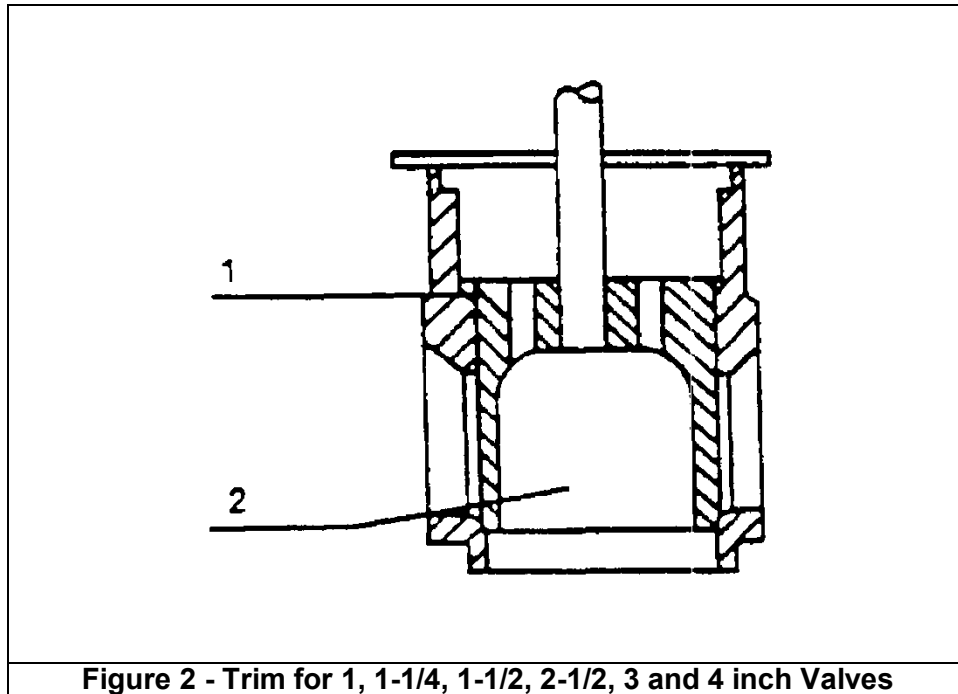


Figure 2 - Trim for 1, 1-1/4, 1-1/2, 2-1/2, 3 and 4 inch Valves

Legend For Associated Tabulations

- ▲ = Recommended Spare Part
- = Selection

Trim Material

SS (17-4 PH) = No. 17-4 PH Stainless Steel

STEL = No. 6 Solid Stellite

SS (17-4 PH)/Col = No. 17-4 PH Stainless Steel with No. 5 Colmonoy

Cage Characteristics

%VP = Equal Percentage V Port

LVP = Linear V Port

Temperature Range

1. -101° to 0°C (-150° to +32°F)

2. +1° to +232°C (+33 to +450°F)

4. +233° to +371°C (+451° to +700°F)

Gland Type

B = Bolted Gland

S = Screwed Gland

Figure 2, Key No. 1, Cage ▲, (For Trim in 1, 1-1/4, 1-1/2 and 2-inch valves)

Part No.	CV	Valve Size (Inches)				Cage Mat'l		Cage Char.	
		1	1-1/4	1-1/2	2	SS (17-4 PH)	Stel	%VP	LVP
30672314-001	7.5	●				●			●
30672314-002	7.5	●					●		●
30672319-001	8.5	●				●		●	
30672319-002	8.5	●					●	●	
30672316-001	13.6	●				●		●	
30672316-002	13.6	●					●	●	
30672318-001	13.6	●				●			●
30672318-002	13.6	●					●		●
30067914-002	16.0	●				●		●	
30067914-001	16.0	●					●	●	
30067915-002	17.0	●				●			●
30067915-001	17.0	●					●		●
30672314-001	7.5		●			●			●
30672314-002	7.5		●				●		●
30672319-001	8.3		●			●		●	
30672319-002	8.3		●				●	●	
30672316-001	15.3		●			●			●
30672316-002	15.3		●				●		●
30672318-001	15.7		●			●		●	
30672318-002	15.7		●				●	●	
30067914-002	20.9		●			●		●	
30067914-001	20.9		●				●	●	
30067915-002	23.0		●			●			●
30067915-001	23.0		●				●		●
30672321-001	16			●		●			●
30672321-002	16			●			●		●
30672325-001	18			●		●		●	
30672325-002	18			●			●	●	
30672327-001	25			●		●		●	
30672327-002	25			●			●	●	
30672323-001	25			●		●			●
30672323-002	25			●			●		●
30068018-002	34			●		●		●	
30068018-001	34			●			●	●	
30068019-002	36			●		●			●
30068019-001	36			●			●		●
30672333-003	21.0				●	●		●	
30672333-003	21.0				●		●	●	
30672329-001	21				●	●			●
30672329-002	21				●		●		●
30672335-003	41				●	●		●	
30672335-002	41				●		●	●	
30672331-003	38.7				●	●			●
30672331-002	38.7				●		●		●
30067719-002	53				●	●		●	
30067719-001	53				●		●	●	
30067718-002	58				●	●			●
30067718-001	58				●		●		●

Figure 2, Key No. 1, Cage ▲, (For Trim in 2-1/2, 3 and 4 inch valves)

Part No.	CV	Valve Size (Inches)			Cage Mat'l			Cage Char.	
		2-1/2	3	4	SS (17-4 PH)	Stel	SS (17-4 PH) /Col	%VP	LVP
30672337-003	33	●			●			●	
30672337-002	33	●				●		●	
30672341-003	33	●			●				●
30672341-002	33	●				●			●
30672339-003	58	●			●			●	
30672339-002	58	●				●		●	
30672343-003	60	●			●				●
30672343-002	60	●				●			●
30068039-002	89	●			●				●
30068039-001	89	●				●			●
30068040-002	90	●			●			●	
30068040-001	90	●				●		●	
30745134-003	32		●		●			●	
30745134-001	32		●			●		●	
30745134-005	32		●				●	●	
30745136-003	52		●		●				●
30745136-001	52		●			●			●
30745136-005	52		●				●		●
30745137-003	62		●		●			●	
30745137-001	62		●			●		●	
30745137-005	62		●				●	●	
30745138-003	94		●		●				●
30745138-001	94		●			●			●
30745138-005	94		●				●		●
30745133-002	120		●		●			●	
30745133-001	120		●			●		●	
30745133-010	120		●				●	●	
30745132-002	124		●		●				●
30745132-001	124		●			●			●
30745132-010	124		●				●		●
30672353-003	51			●	●			●	
30672353-002	51			●		●		●	
30672353-005	51			●			●	●	
30672359-003	56			●	●				●
30672359-002	56			●		●			●
30672359-005	56			●			●		●
30672355-003	100			●	●			●	
30672355-002	100			●		●		●	
30672355-005	100			●			●	●	
30672357-003	110			●	●				●
30672357-002	110			●		●			●
30672357-005	110			●			●		●
30068131-002*	188			●	●			●	
30068131-004**	188			●	●			●	
30068131-001	188			●		●		●	
30068131-010	188			●			●	●	
30068132-002	202			●	●				●
30068132-001	202			●		●			●
30068132-010	202			●			●		●

* Used for standard flow applications (01 actuator)

** Used for flow under seats application (05 actuator)

Figure 2, Key No. 2, Plug ▲, (For Trim in 1, 1-1/4, 1-1/2, 2 and 2-1/2-inch valves)

Part No.	Temp. Range			Valve Size (Inches)					Plug Mat'l		Gland Type	
	1	2	3	1	1-1/4	1-1/2	2	2-1/2	SS (17-4 PH)	Stel	B	S
30745067-004	●		●	●	●				●		●	
30745067-008	●		●	●	●				●			●
30745067-003	●		●	●	●					●	●	
30745067-007	●		●	●	●					●		●
30745067-002		●		●	●				●		●	
30745067-006		●		●	●				●			●
30745067-001		●		●	●					●	●	
30745067-005		●		●	●					●		●
30745068-004	●		●			●			●		●	
30745068-008	●		●			●			●			●
30745068-003	●		●			●				●	●	
30745068-007	●		●			●				●		●
30745068-002		●				●			●		●	
30745068-006		●				●			●			●
30745068-001		●				●				●	●	
30745068-005		●				●				●		●
30745069-004	●		●				●		●		●	
30745069-008	●		●				●		●			●
30745069-003	●		●				●			●	●	
30745069-007	●		●				●			●		●
30745069-002		●					●		●		●	
30745069-006		●					●		●			●
30745069-001		●					●			●	●	
30745069-005		●					●			●		●
30745070-004	●		●					●	●		●	
30745070-003	●		●						●	●	●	
30745070-002		●						●	●		●	
30745070-001		●						●		●	●	

Figure 2, Key No. 2, Plug ▲, (For Trim in 3 and 4-inch valves)

Part No.	Temp. Range			Valve Size (Inches)		Plug Mat'l			Flow Type	
	1	2	3	3	4	SS (17-4 PH)	Stel	SS (17-4 PH)/Col	Std*	Under Seat**
30745071-004	●		●	●		●			●	
30745071-008	●		●	●		●				●
30745071-003	●		●	●			●		●	
30745071-007	●		●	●			●			●
30745071-012	●		●	●				●	●	
30745071-002		●		●		●			●	
30745071-006		●		●		●				●
30745071-001		●		●			●		●	
30745071-005		●		●			●			●
30745071-010		●		●				●	●	
30745072-004	●		●		●	●			●	
30745072-008	●		●		●	●				●
30745072-003	●		●		●		●		●	
30745072-007	●		●		●		●			●
30745072-012	●		●		●			●	●	
30745072-002		●			●	●			●	
30745072-006		●			●	●				●
30745072-001		●			●		●		●	
30745072-005		●			●		●			●
30745072-010		●			●			●	●	

* Used for standard flow applications (01 actuator)

** Used for flow under seats application (05 actuator)

Figure 3, Key No. 1, Cage ▲

(For Trim in 6, 8, 10 and 12 inch valves)

Part No.*	CV	Valve Size (Inches)				Cage Char.	
		6	8	10	12	%VP	LVP
30681860-item	130	●				●	
30681865-item	180	●					●
30681861-item	210	●				●	
30681864-item	275	●					●
30681863-item	375	●				●	
30681862-item	440	●					●
30681867-item	275		●			●	
30681871-item	320		●				●
30681868-item	360		●			●	
30681870-item	500		●				●
30681866-item	680		●			●	
30681869-item	780		●				●
30681876-item	360			●		●	
30681873-item	470			●			●
30681875-item	550			●		●	
30681872-item	710			●			●
30681874-item	1025			●		●	
30681877-item	1160			●			●
30681881-item	465				●	●	
30681878-item	550				●		●
30681880-item	700				●	●	
30681883-item	830				●		●
30681879-item	1440				●	●	
30681882-item	1550				●		●

* For complete part number, select proper suffix number for cage material listed below, and use in place of %item+:

- No. 316 Stainless Steel. . 001
- No. 17-4 PH Stainless Steel. . 002
- No. 6 Solid Stellite. . 003
- No. 316 Stainless Steel with No. 6 Solid Stellite Surface. . 004
- No. 316 Stainless Steel with No. 5 Colmonoy Seat Surface. . 005
- No. 17-4 PH Stainless Steel with No. 5 Colmonoy Seat Surface. . 007

Figure 3, Key No. 2, Plug ▲, (For Trim in 6, 8, 10 and 12-Inch valves)

Part No.*	Valve Size (Inches)			
	6	8	10	12
30750873-item	●			
30750883-item		●		
30745084-item			●	
30745085-item				●

* For complete part number, select proper suffix number for plug material listed below, and use in place of %item+:

- No. 6 Solid Stellite. . 001
- No. 17-4 PH Stainless Steel. . 002
- No. 316 Stainless Steel. . 003
- No. 316 Stainless Steel with No. 6 Solid Stellite Surface. . 004
- No. 316 Stainless Steel with No. 5 Colmonoy Seat Surface. . 008
- No. 17-4 PH Stainless Steel with No. 5 Colmonoy Seat Surface. . 012

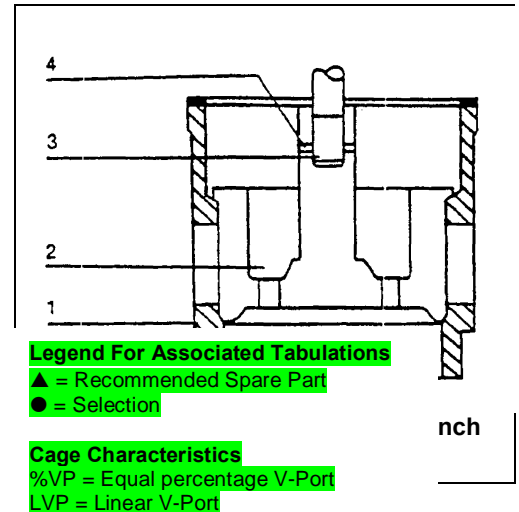


Figure 3, Key No. 3, Stem ▲

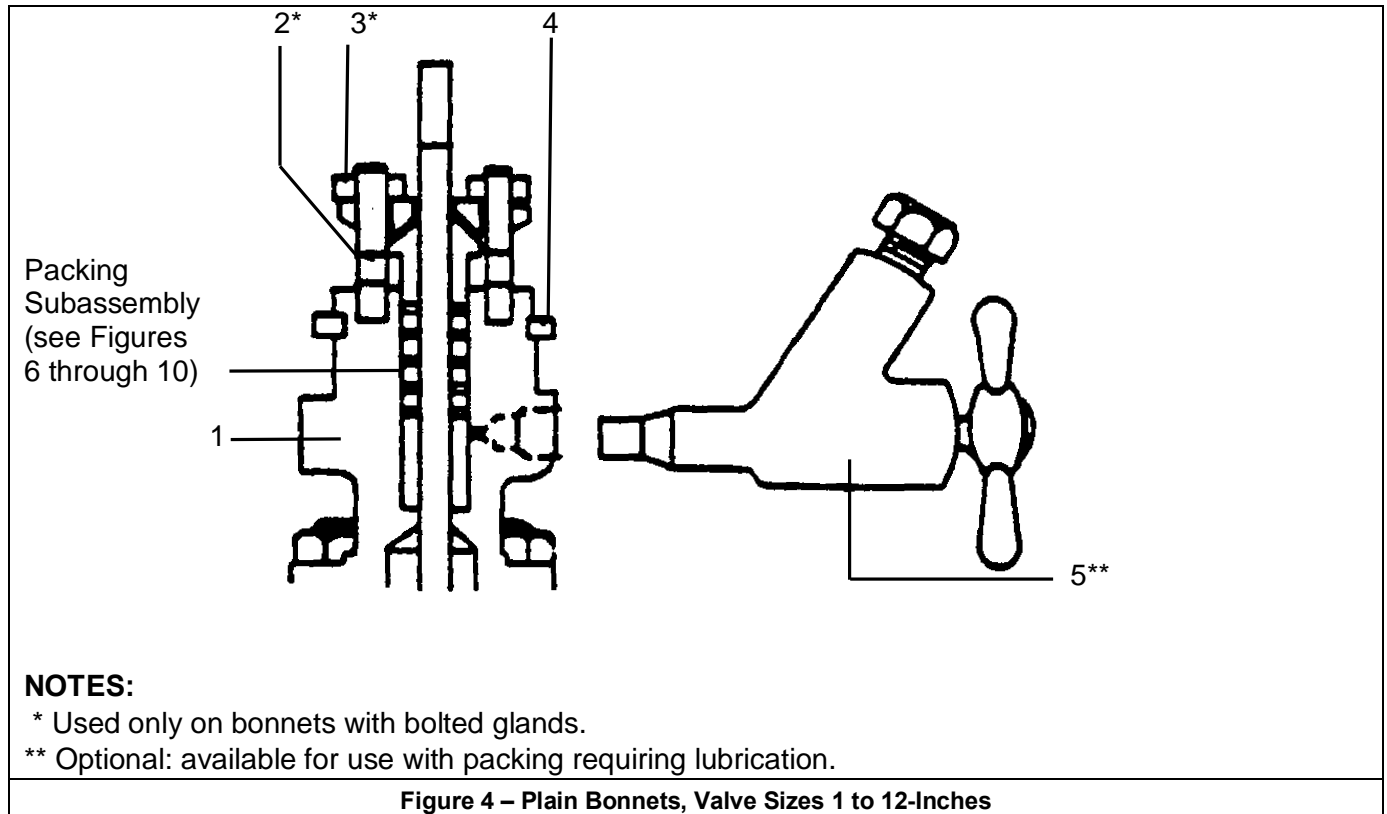
(For Standard Trim in 6, 8, 10 and 12-Inch valves)

Part No.	Valve Size (Inches)				Bonnet Type	
	6	8	10	12	Plain	Ext. Col.
30750875-001	●				●	
30750875-002	●					●
30672430-003		●			●	
30672430-005		●				●
30672430-001			●		●	
30672145-001			●			●
30672072-001				●	●	
30672144-001				●		●

Figure 3, Key No. 4, Pin ▲

(For Trim in 6, 8, 10 and 12-Inch valves)

Part No.	Valve Size (Inches)			
	6	8	10	12
30042498-002	●			
30042498-001		●		
30069938-322			●	●



Reference: Figure 4

Key No.	Description	Part No.	Qty.	Valve Size (Inches)											
				1	1-1/4	1-1/2	2	2-1/2	3	4	6	8	10	12	
1	Bonnet	Refer to SPX	1												
2	Stud, Bonnet	30037325-271	2	●	●	●	●	●	●	●					
		30037244-271	2								●	●			
		30039583-271	2											●	●
3	Nut, Packing Flange	30032523-272	2	●	●	●	●	●	●	●					
		30032534-272	2								●	●	●	●	
4	Locknut, Yoke	30036962-392	1	●	●	●	●	●	●	●					
		30036963-392	1								●	●			
		30037980-193	1											●	●
5	Lubricator	30065700-235	1	A	A	A	A	A			A	A	A	A	
		30068788-000	1							A	A				

NOTES:

Selection: Identified by ● or by letter (e.g. A).

A. Lubricator may be used in bonnet when Teflon Graphite or Laminated Graphite (Grafoil) packing is used.

Check the valve nameplate for the appropriate lubricant to be used with a particular installation. Refer to Table of Standard Valve Lubricants for information regarding the various lubricants.

Nor' East

1" – 12" 9200 Series Double Seated Cage Valves

Reference: Figure 5

Key No.	Description	Part No.	Qty.	Valve Size (Inches)											
				1	1-1/4	1-1/2	2	2-1/2	3	4	6	8	10	12	
1	Bonnet	Refer to SPX	1												
2	Stud, Bonnet	30037325-271	2	●	●	●	●	●	●	●					
		30037244-271	2								●	●			
		30039583-271	2											●	●
3	Nut, Packing Flange	30032523-272	2	●	●	●	●	●	●	●					
		30032534-272	2								●	●	●	●	
4	Locknut, Yoke	30036962-392	1	●	●	●	●	●	●	●					
		30036963-392	1								●	●			
		30037980-193	1											●	●
5	Stud, Bottom Bonnet	30048900-item	4	A	A										
		30007237-item	4			A	A								
6	Hex Nut	30020119-item	4	B	B										
		30020234-item	4			B	B								
7	Gasket ▲	30047528-item	1	C	C										
		30065920-item	1			C	C								
8	Lubricator	30065700-235	1	D	D	D	D	D			D	D	D	D	
		30068788-000	1							D	D				

Notes:

▲ = Recommended Spare Part

Selection: Identified by ● or by letter (e.g. A).

A. The nut end of the studs contains a code for identification. Select desired suffix for stud part number and use in place of %item+as follows:

Code L7: -268

Code B7: -271

B. Select desired suffix for hex nut part number and use in place of %item+as follows:

Alloy Steel (zinc plated): -267 [For Low temperature range of . 101° to 0°C (-150° to +32°F)]

Plain Steel (zinc plated): -272 [For High temperature range of -29° to +399°C (-20° to +750°F)]

C. Select desired suffix for gasket part number and use in place of %item+as follows:

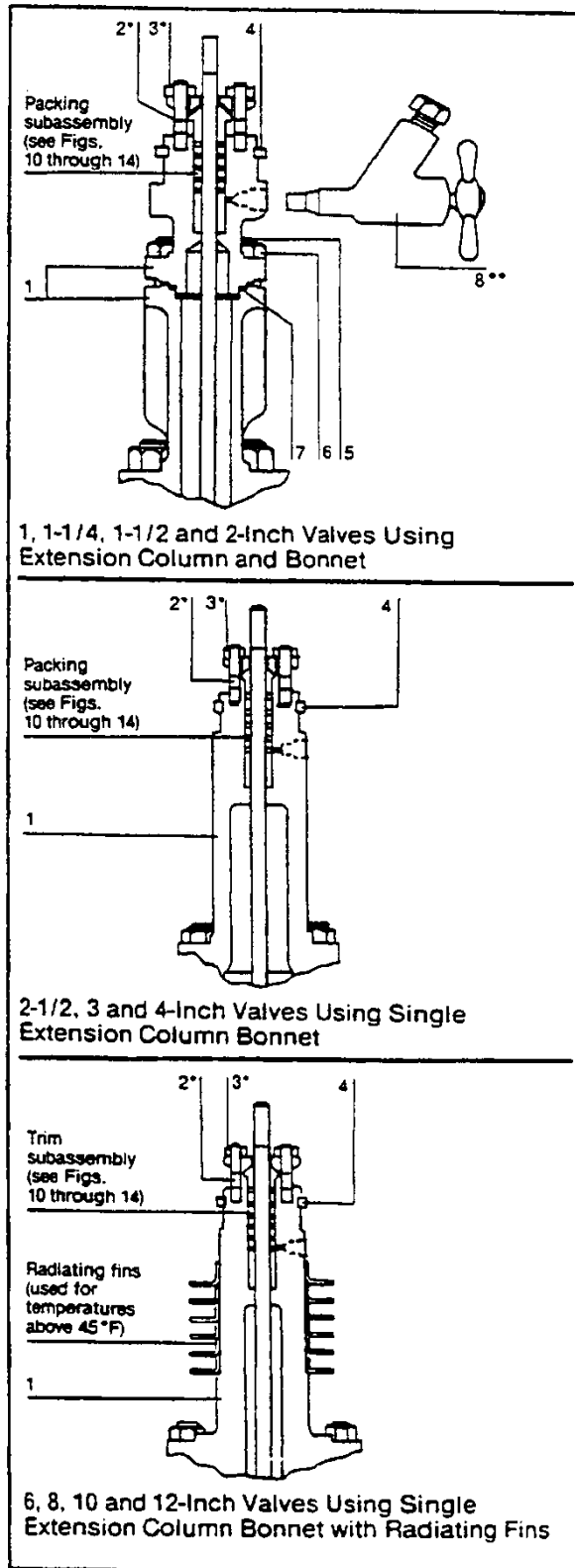
Teflon with 25% glass: -365 [For Low temperature range of . 59° to 0°C (-75° to +32°F)]

Virgin Teflon: -854 [For Low temperature range of -101° to -60°C (-150° to -76°F)]

Non-Asbestos Sheet: -859 [For High temperature range of -29° to 232.2°C (-20° to +450°F)]

Laminated Graphite w/316SS mesh: -841 [For High temperature range of 233° to 399°C (451° to 750°F)]

D. Lubricator may be used in bonnet when Teflon Graphite or Laminated Graphite (Grafoil) packing is used. Check the valve nameplate for the appropriate lubricant to be used with a particular installation. Refer to %Table of Standard . Valve Lubricants+for information regarding the various lubricants.



NOTES:

* Used only on bonnets with bolted glands.

** Optional: available for use with packing requiring lubrication.

Figure 5 – Extension Column Bonnets, Valve Sizes 1 to 12-Inches

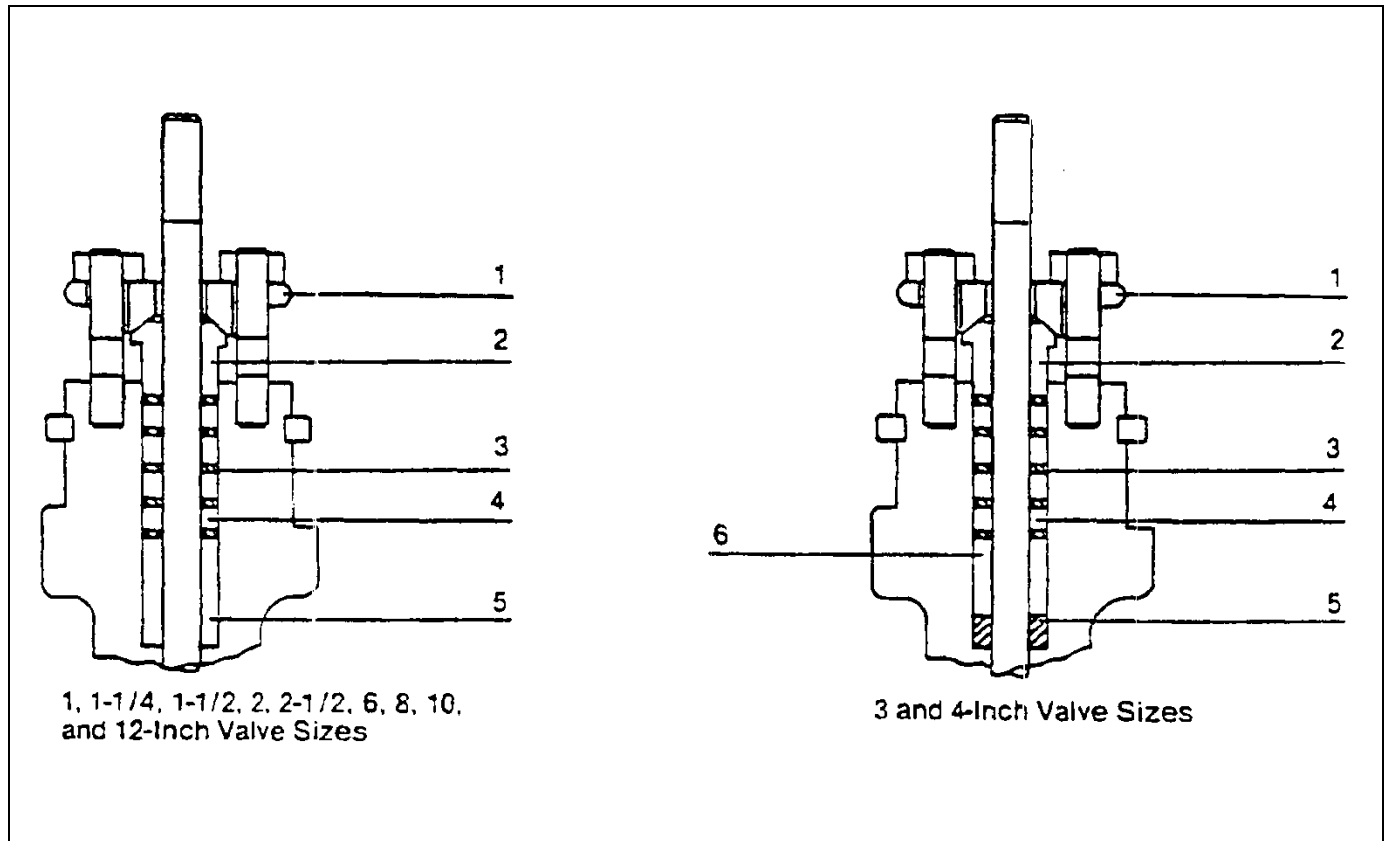


Figure 6 – Non-Lubricated Shredded Teflon Packing for 1 to 12-Inch Valves with Plain and Extension Column Bonnets (Bolted Glands)

Legend For Associated Tabulations

- ▲ = Recommended Spare Part
- = Selection

Figure 6, Key No. 1, Packing Flange

(Non-Lubricated Shredded Teflon Packing for 1 to 12 Inch Valves)

Part No.	Valve Size (Inches)										
	1	1-1/4	1-1/2	2	2-1/2	3	4	6	8	10	12
30036959-392	●	●	●	●	●						
30046967-392						●	●				
30036960-392								●			
30037968-392									●		
30037968-193										●	●

Figure 6, Key No. 2, Packing Follower

(Non-Lubricated Shredded Teflon Packing for 1 to 12 Inch Valves)

Part No.	Valve Size (Inches)											Bonnet Type	
	1	1-1/4	1-1/2	2	2-1/2	3	4	6	8	10	12	Plain	Ext. Col.
30032998-303	●	●										●	●
30032998-303			●									●	
30035639-303			●										●
30035639-303				●	●							●	●
30033132-303						●	●					●	●
30037243-303								●				●	●

30037969-303										●	●	●	●	●
--------------	--	--	--	--	--	--	--	--	--	---	---	---	---	---

Figure 6, Key No. 3, Teflon Spacer ▲
(Non-Lubricated Shredded Teflon Packing for 1 to 12 Inch Valves)

Part No.	Qty.	Valve Size (Inches)											Bonnet Type		
		1	1-1/4	1-1/2	2	2-1/2	3	4	6	8	10	12	Plain	Ext. Col.	
30035031-854	5	●	●											●	●
30035031-854	5			●										●	
30023517-854	5			●											●
30023517-854	5				●	●								●	●
30033501-854	5						●	●						●	●
30023816-854	5								●					●	●
30040379-854	5									●	●	●		●	●

Figure 6, Key No. 4, Packing ▲
(Non-Lubricated Shredded Teflon Packing for 1 to 12 Inch Valves)

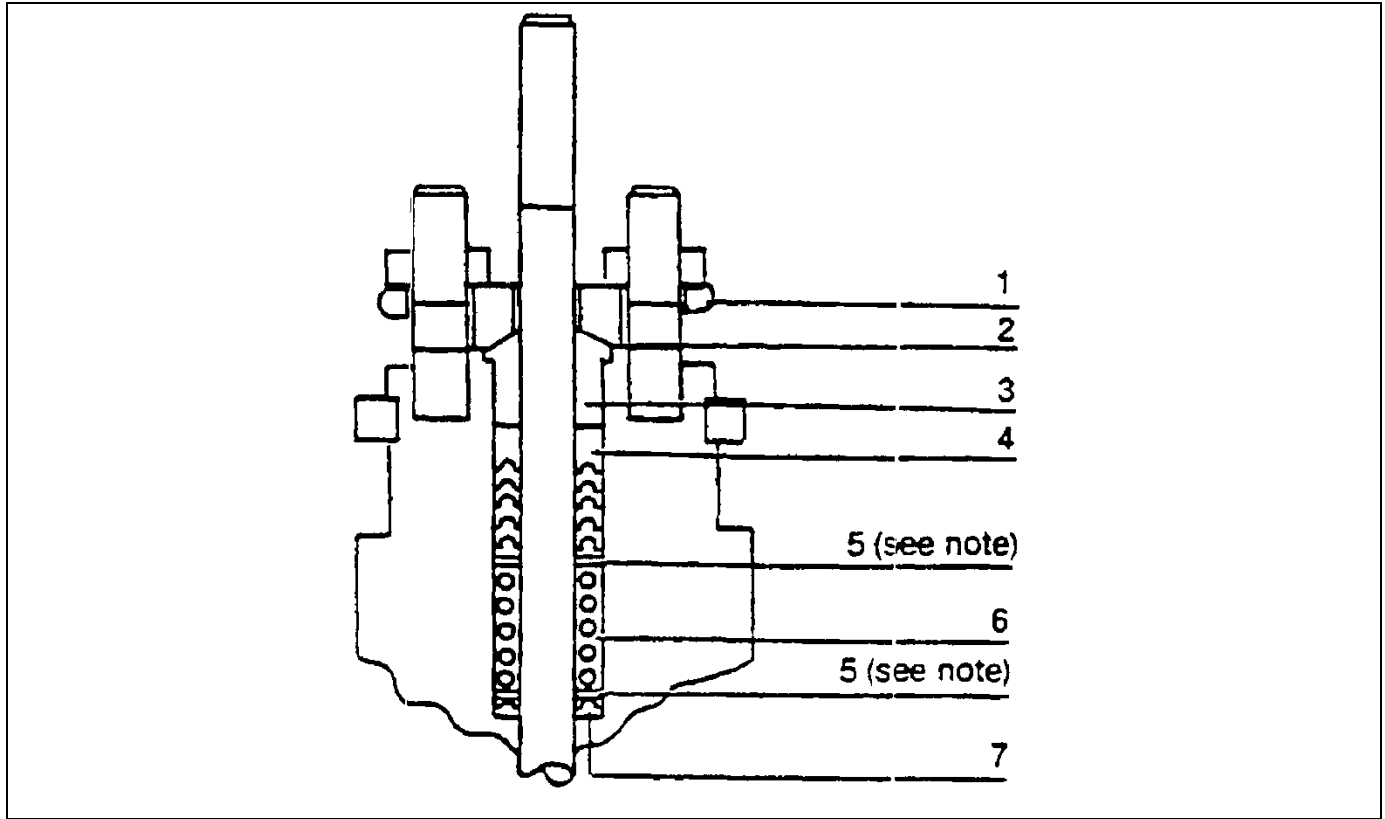
Part No.	Qty.	Valve Size (Inches)											Bonnet Type		
		1	1-1/4	1-1/2	2	2-1/2	3	4	6	8	10	12	Plain	Ext. Col.	
30035032-844	4	●	●											●	●
30035032-844	4			●										●	
30023808-844	4			●											●
30023808-844	4				●	●								●	●
30033502-844	4						●	●						●	●
30023817-844	4								●					●	●
30040378-844	4									●	●	●		●	●

Figure 6, Key No. 5, Retaining Ring
(Non-Lubricated Shredded Teflon Packing for 1 to 12 Inch Valves)

Part No.	Valve Size (Inches)											Bonnet Type			
	1	1-1/4	1-1/2	2	2-1/2	3	4	6	8	10	12	Plain	Ext. Col.		
30746630-001	●	●											●	●	
30746630-001			●										●		
30035640-316			●											●	
30035640-316				●	●									●	●
30038204-316						●	●							●	●
30035060-316								●						●	●
30043211-001									●					●	●
30043211-316										●	●			●	●

Figure 6, Key No. 6, Spacer
(Non-Lubricated Shredded Teflon Packing for 3 and 4 Inch Valves)

Part No.
30046770-316



NOTES:

In bonnets where the quantity of washers (Key No. 5) is more than 2, the additional washers may be placed either above or below the spring (Key No. 6).

Figure 7 – Non-Lubricated Spring-Loaded V-Ring Teflon Packing for 1 to 12-Inch Valves with Plain and Extension Column (Bolted Glands)

Legend For Associated Tabulations

- ▲ = Recommended Spare Part
- = Selection

Figure 7, Key No. 1, Packing Flange

(For Non-Lubricated Spring-Loaded V-Ring Teflon Packing for 1 to 12 Inch Valves)

Part No.	Valve Size (Inches)											Bonnet Type	
	1	1-1/4	1-1/2	2	2-1/2	3	4	6	8	10	12	Plain	Ext. Col.
30065375-392	●	●	●	●	●							●	●
30065376-392						●	●					●	●
30065377-392								●				●	●
30065378-392									●	●	●	●	●

Figure 7, Key No. 2, Upper Stem Wiper

(For Non-Lubricated Spring-Loaded V-Ring Teflon Packing for 1 to 12 Inch Valves)

Part No.	Valve Size (Inches)											Bonnet Type	
	1	1-1/4	1-1/2	2	2-1/2	3	4	6	8	10	12	Plain	Ext. Col.
30041035-854	●	●										●	●
30041035-854			●									●	
30065388-854			●										●
30065388-854				●	●							●	●
30065389-854						●	●					●	●
30065392-854								●				●	●
30040379-854									●	●	●	●	●

Figure 7, Key No. 3, Packing Follower

(For Non-Lubricated Spring-Loaded V-Ring Teflon Packing for 1 to 12 Inch Valves)

Part No.	Valve Size (Inches)											Bonnet Type	
	1	1-1/4	1-1/2	2	2-1/2	3	4	6	8	10	12	Plain	Ext. Col.
30032998-303	●	●										●	●
30032998-303			●									●	
30035639-303			●										●
30035639-303				●	●							●	●
30033132-303						●	●					●	●
30037243-303								●				●	●
30037969-303									●	●	●	●	●

Figure 7, Key No. 4, Packing Subassembly ▲

(For Non-Lubricated Spring-Loaded V-Ring Teflon Packing for 1 to 12 Inch Valves)

Part No.	Valve Size (Inches)											Bonnet Type	
	1	1-1/4	1-1/2	2	2-1/2	3	4	6	8	10	12	Plain	Ext. Col.
30065395-936	●	●										●	●
30065395-936			●									●	
30065397-936			●										●
30065397-936				●	●							●	●
30065398-936						●	●					●	●
30068667-936								●				●	●
30065403-010									●			●	●
30068964-936										●	●	●	●

Figure 7, Key No. 5, Washer

(Non-Lubricated Spring-Loaded V-Ring Teflon Packing for 1 to 12 Inch Valves)

Part No.	Qty.	Valve Size (Inches)											
		1	1-1/4	1-1/2	2	2-1/2	3	4	6	8	10	12	
30065405-316	2	●	●	●	●	●							
30065407-316	7						●	●					
30065410-316	3								●				
30065411-316	9									●			
30065411-184	2										●	●	

Figure 7, Key No. 6, Spring

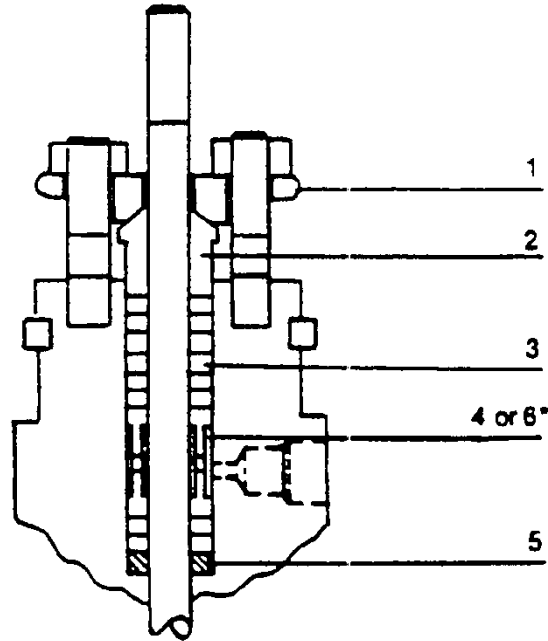
(For Non-Lubricated Spring-Loaded V-Ring Teflon Packing for 1 to 12 Inch Valves)

Part No.	Valve Size (Inches)											Bonnet Type	
	1	1-1/4	1-1/2	2	2-1/2	3	4	6	8	10	12	Plain	Ext. Col.
30065385-461	●	●										●	●
30065385-461			●									●	
30065384-461			●										●
30065384-461				●	●							●	●
30065383-461						●	●					●	●
30065380-461								●				●	●
30065379-461									●	●	●	●	●

Figure 7, Key No. 7, Lower Stem Wiper

(For Non-Lubricated Spring-Loaded V-Ring Teflon Packing for 1 to 12 Inch Valves)

Part No.	Valve Size (Inches)											Bonnet Type	
	1	1-1/4	1-1/2	2	2-1/2	3	4	6	8	10	12	Plain	Ext. Col.
30065414-862	●	●										●	●
30065414-862			●									●	
30065415-862			●										●
30065415-862				●	●							●	●
30065416-862						●	●					●	●
30065418-862								●				●	●
30065419-862									●	●	●	●	●



Packing for Plain and Extension Column Bonnets - Valve Sizes 1 through 12 Inches

NOTES:

* Key No. 4 is used when packing is lubricated, and Key No. 6 is used when packing is non-lubricated.

Figure 8– Teflon Graphite and Laminated Graphite (Grafoil) Packing for 1 to 12-Inch Valves with Plain and Extension Column Bonnets (Bolted Glands)

Legend For Associated Tabulations

- ▲ = Recommended Spare Part
- = Selection

Packing Type

TG = Teflon Graphite

LG = Laminated Graphite (Grafoil)

Figure 8, Key No. 1, Packing Flange

(For Teflon Graphite and Laminated Graphite (Grafoil) Packing for 1 to 12 Inch Valves)

Part No.	Valve Size (Inches)										
	1	1-1/4	1-1/2	2	2-1/2	3	4	6	8	10	12
30036959-392	●	●	●	●	●						
30046967-392						●	●				
30036960-392								●			
30037968-392									●		
30037968-258										●	●

Figure 8, Key No. 2, Packing Follower

(For Teflon Graphite and Laminated Graphite (Grafoil) Packing for 1 to 12 Inch Valves)

Part No.	Valve Size (Inches)											Bonnet Type	
	1	1-1/4	1-1/2	2	2-1/2	3	4	6	8	10	12	Plain	Ext. Col.
30032998-303	●	●										●	●
30032998-303			●									●	●
30035639-303			●									●	●
30035639-303				●	●							●	●
30033132-303						●	●					●	●
30037243-303								●				●	●
30037969-303									●	●	●	●	●

Nor' East

1" – 12" 9200 Series Double Seated Cage Valves

Figure 8 Key No. 3, Packing ▲

(For Teflon Graphite and Laminated Graphite (Grafoil) Packing for 1 to 12 Inch Valves)

Part No.	Qty.	Packing Type		Valve Size (Inches)											Bonnet Type	
		TG	LG	1	1-1/4	1-1/2	2	2-1/2	3	4	6	8	10	12	Plain	Ext. Col.
30035107-840	8	●		●	●										●	●
30035107-127	8		●	●	●										●	●
30035107-840	8	●				●									●	
30035107-127	8		●			●									●	
30044392-840	8	●				●										●
30018623-127	10		●			●										●
30044392-840	8	●					●	●							●	●
30018623-127	10		●				●	●							●	●
30045227-840	8	●							●	●					●	●
30035103-127	11		●						●	●					●	●
30043548-840	5	●									●				●	●
30018631-127	10		●								●				●	●
30022521-840	10	●										●	●	●	●	●
30022521-127	10		●									●	●	●	●	●

Figure 8, Key No. 4, Lantern Ring

(For Teflon Graphite and Laminated Graphite (Grafoil) Packing for 1 to 12 Inch Valves)

Part No.	Valve Size (Inches)											Bonnet Type	
	1	1-1/4	1-1/2	2	2-1/2	3	4	6	8	10	12	Plain	Ext. Col.
30032997-316	●	●										●	●
30032997-316			●									●	
30036802-316			●										●
30036802-303				●	●							●	●
30033133-303						●	●					●	●
30033110-303								●				●	●
30037991-316									●	●	●	●	●

Figure 8, Key No. 5, Retaining Ring

(For Teflon Graphite and Laminated Graphite (Grafoil) Packing for 1 to 12 Inch Valves)

Part No.	Valve Size (Inches)											Bonnet Type	
	1	1-1/4	1-1/2	2	2-1/2	3	4	6	8	10	12	Plain	Ext. Col.
30047519-316	●	●										●	●
30047519-316			●									●	
30001722-316			●										●
30001722-316				●	●							●	●
30038204-316						●	●					●	●
30011491-316								●				●	●
30037992-316									●	●	●	●	●

Figure 8 Key No. 6, Spacer

(For Teflon Graphite and Laminated Graphite (Grafoil) Packing for 1 to 12 Inch Valves)

Part No.	Valve Size (Inches)											Bonnet Type	
	1	1-1/4	1-1/2	2	2-1/2	3	4	6	8	10	12	Plain	Ext. Col.
30746630-001	●	●										●	●
30746630-001			●									●	
30746630-006			●										●
30746630-006				●	●							●	●
30746630-011						●	●					●	●
30746630-021								●				●	●
30746630-026									●	●	●	●	●

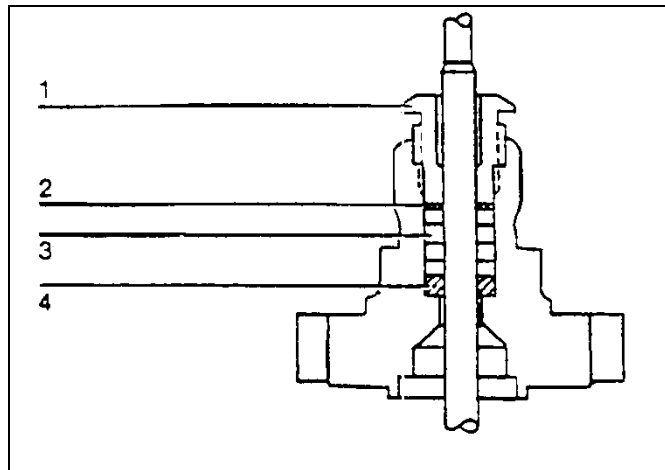


Figure 9 – Non-Lubricated Teflon Graphite Packing for 1, 1-1/4, 1-1/2 and 2 Inch Valves with Plain, Extension Column and Bellows Seal Bonnets (Screwed Glands)

Figure 9, Key No. 1, Packing Nut
Part No. 30048916-316

Figure 9, Key No. 2, Spacer ▲
Part No. 30035031-854

Figure 9, Key No. 3, Packing ▲
Part No. 30035107-840
Quantity: 4

Figure 9, Key No. 4, Retaining Ring
Part No. 30047519-316

Legend

▲ = Recommended Spare Part

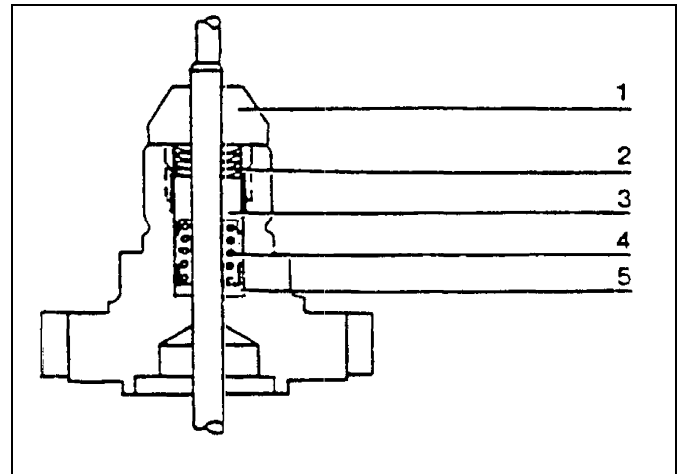


Figure 10 – Non-Lubricated Spring-Loaded Teflon Packing for 1, 1-1/4, 1-1/2 and 2 Inch Valves with Plain, Extension Column and Bellows Seal Bonnets (Screwed Glands)

Figure 10, Key No. 1, Packing Nut
Part No. 30049326-303

Figure 10, Key No. 2, Packing ▲
Part No. 30041035-854
Quantity: 4

Figure 10, Key No. 3, Upper Spring Seat
Part No. 30049325-303

Figure 10, Key No. 4, Spring
Part No. 30041084-218

Figure 10, Key No. 5, Lower Spring Seat
Part No. 30041086-303

Legend

▲ = Recommended Spare Part

Guarantee

Products, auxiliaries and parts thereof, of NorøEast Controlsø manufacture, are guaranteed for a period of one year from the date of shipment against defective workmanship and material only, when properly installed, operated and serviced in accordance with NorøEast Controlsø recommendations. Replacement for items of NorøEast Controlsø manufacture will be made free of charge if proved to be defective within such time. No claim for special or consequential damages, transportation, or labor shall be allowed. Purchaser shall be solely responsible for determining suitability for use and in no event shall NorøEast Controls be liable in this respect. Equipment or parts manufactured by others but furnished by NorøEast Controls will be repaired or replaced, only to the extent provided in the original manufacturerø's warranty to NorøEast Controls. NorøEast Controls does not guarantee resistance to corrosion, erosion, abrasion or other sources of failure, nor does NorøEast Controls guarantee a minimum length of service. Failure of the purchaser to give prompt written notice of any alleged defect under this guarantee forthwith upon its discovery, or use and possession thereof after an attempt has been made and completed by someone other than NorøEast Controls or an authorized representative to remedy defects therein, or failure to return products or parts for replacement as herein provided, of failure to install, operate, and maintain said products or parts according to instructions provided by NorøEast Controls, of failure to pay the entire contract price when due, shall be a waiver of all rights under these representations.

The foregoing guarantee shall be null and void, if, after shipment from our factory, the item is modified in any way or component of another manufacturer, such as but not limited to; an actuator is attached to the item by valves & controls other than a NorøEast Controls Factory Service Personnel. All orders accepted shall be deemed accepted subject to this guarantee, which shall be exclusive of any other previous guarantee, and this shall be the only effective guarantee or warranty binding on NorøEast Controls, anything to the contrary contained in the purchase order, or represented by any agent or employee of NorøEast Controls, in writing or otherwise, notwithstanding, including but not limited to implied warranties.

THE FOREGOING OBLIGATIONS ARE IN LIEU OF ALL OTHER OBLIGATIONS AND LIABILITIES INCLUDING WARRANTIES OF FITNESS OR MERCHANTABILITY OR OTHERWISE, EXPRESSED OR IMPLIED IN FACT OR BY LAW, AND STATE NORøEAST CONTROLS AND EXCLUSIVE LIABILITY AND PURCHASERø'S EXCLUSIVE REMEDY FOR ANY CLAIM IN CONNECTION WITH THIS SALE OR FURNISHING OF SERVICES, GOODS, OR PARTS, THEIR OWN DESIGN, SUITABILITY FOR USE, INSTALLATION OR OPERATION.

Limitation of Liability

In no event shall NorøEast Controls be liable for any direct, indirect, special or consequential damages whatsoever, and NorøEast Controlsø liability, under no circumstances, will exceed the contract price for the goods and/or services for which liability is claimed. Any action for breach of contract must be commenced within 1 year after the cause of the action has occurred.

1000 Riverside Street, Portland, Maine 04103
Ph: 207-781-8831 Fax: 207-781-8830

Sales and Service

NorøEast Controls representatives are located in major cities throughout the world.
For the name of the representative nearest you, contact:

Web site:www.allagashinternational.com **E-Mail:**sales@allagashinternational.com

NorøEast reserves the right to incorporate our latest design and material changes without notice or obligation. Design features, materials of construction and dimensional data, as described in this bulletin, are provided for your information only and should not be relied upon unless confirmed in writing by NorøEast Controls. Certified drawings are available upon request.