

Instruction
SP-4900-1NE
December 2010

NOR'EAST

— CONTROLS, INC.

A DIVISION OF ALLGASH INTERNATIONAL, INC.



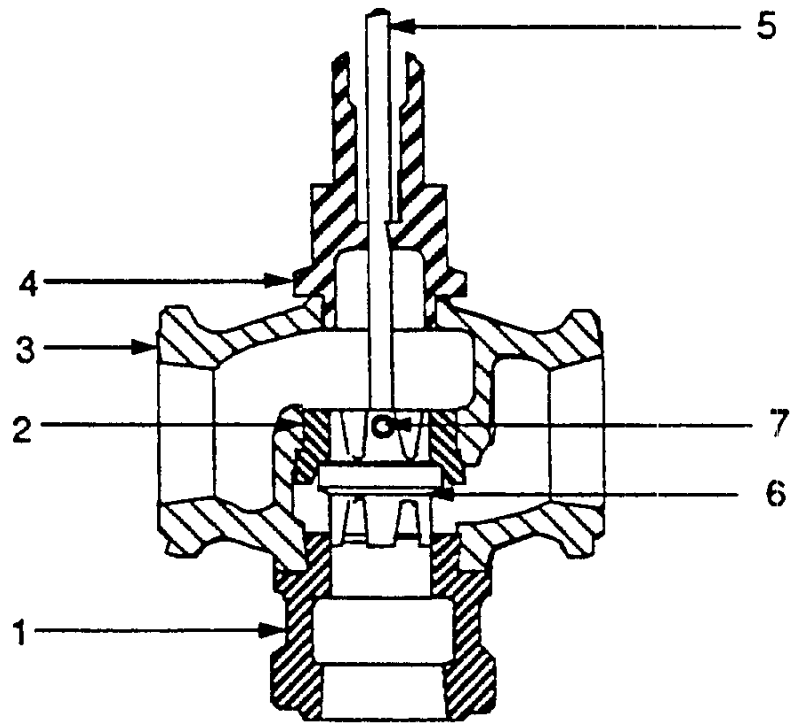
Spare Parts

SERIES 4900 THREE-WAY, GLOBE VALVES

Previously manufactured by Dezurik® and Honeywell®

Nor' East

1/2" - 2" 4900 Series Three-Way Globe Valves



(Lower Seat Ring is Machined into Tailpiece)

Figure 1: 1/2" thru 2" Valves

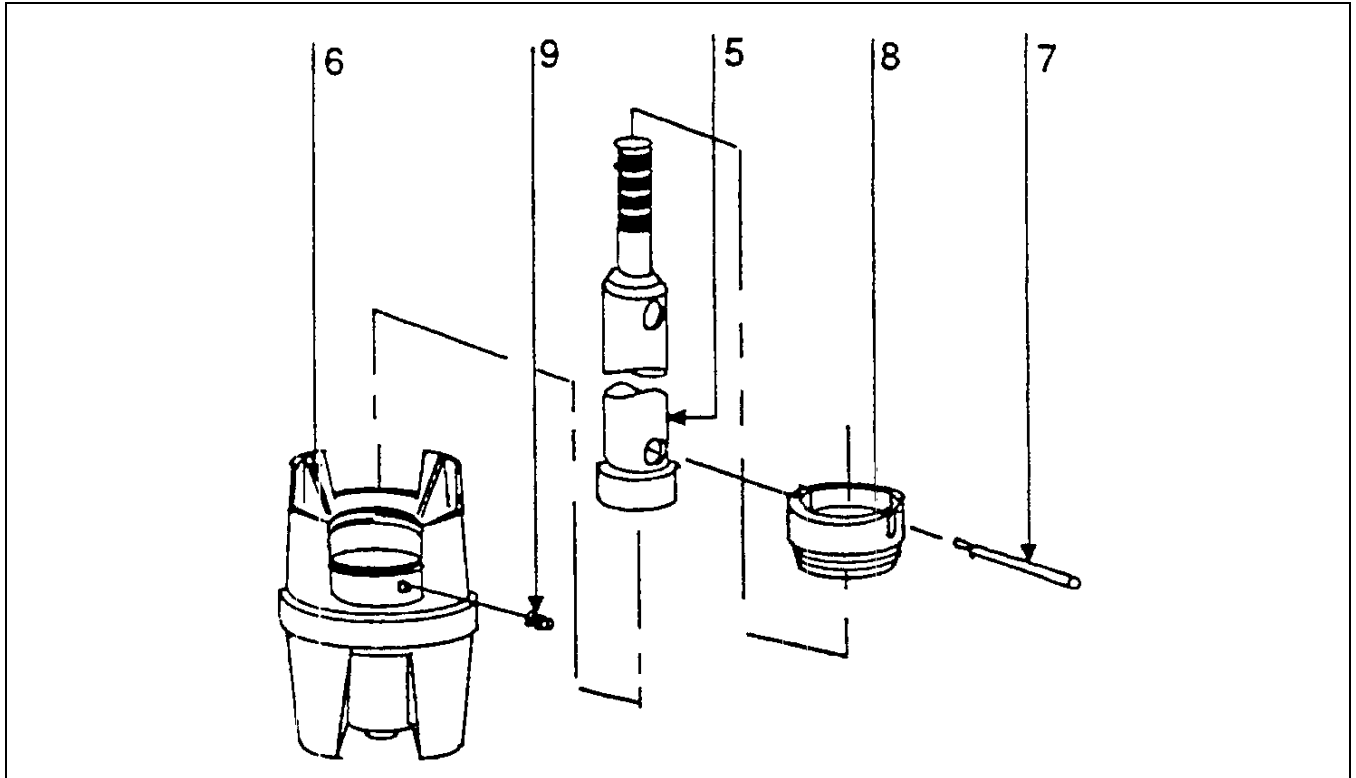


Figure 2: Plug and Stem Arrangement

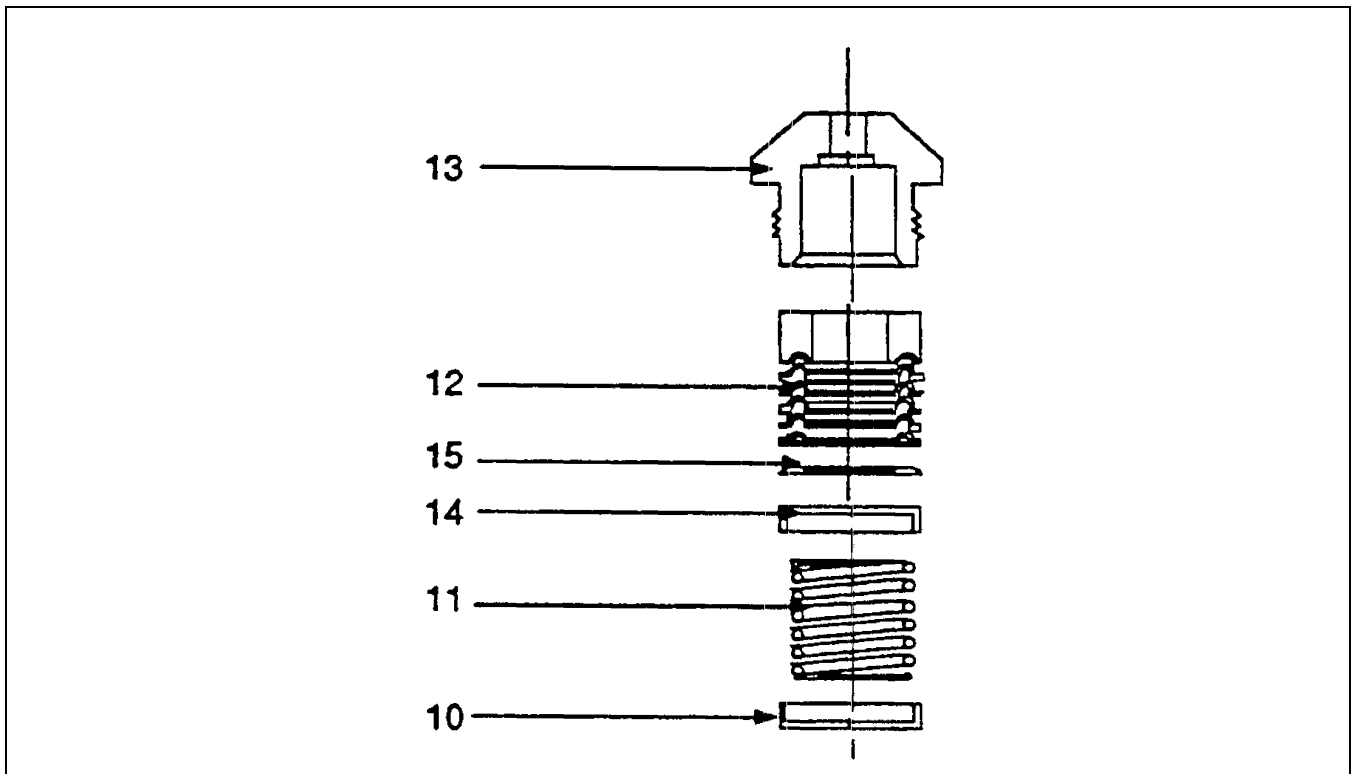


Figure 3: Spring-Loaded Teflon V-Ring Packing Arrangement

Nor' East

1/2" – 2" 4900 Series Three-Way Globe Valves

Key No. 1 – Tailpiece						
Trim Material	Valve Size					
	1/2"	3/4"	1"	1-1/4"	1-1/2"	2"
S.S.	30035236-316	30035237-316	30035250-313	30035268-313	30035296-313	30035301-313

Key No. 2 – Seat Ring						
Trim Material	Valve Size					
	1/2"	3/4"	1"	1-1/4"	1-1/2"	2"
S.S.	30036442-316	30034477-316	30033815-316	30033816-316	30033817-316	30033818-316

Key No. 3 – Body, Cast Iron						
Valve Size						
1/2"	3/4"	1"	1-1/4"	1-1/2"	2"	
30035234-200	30035235-200	30035239-200	30035259-200	30035293-200	30067424-200	

Key No. 4 – Bonnet	
Valve Size	
1/2" thru 1-1/2"	2"
30067390-159	30067391-159

Key No. 5 – Stem Subassembly (includes Stem Head)					
Valve Size					
1/2"	3/4"	1"	1-1/4"	1-1/2"	2"
30067397-316*	30067398-316*	30067398-316*	30067411-910	30067410-910	30067412-910

* Stem only – no stem head supplied

Key No. 6 – Plug						
Trim Material	Valve Size					
	1/2"	3/4"	1"	1-1/4"	1-1/2"	2"
S.S.	30035239-313	30035240-313	30035251-313	30035290-313	30035316-313	30035303-313

Key No. 7 – Pin			
Valve Size			
1/2"	3/4"	1"	1-1/4" thru 2"
30035243-322	30064584-322	30036536-322	30028021-322

Key No. 8 – Nut	
Trim Material	Valve Size
	1-1/2" thru 2"
S.S.	30027774-316

Key No. 9 – Screw
30021181-322

Key No. 10 – Lower Spring Seat

30041086-107

Key No. 11 – Packing Spring

30041084-218

**Key No. 12 – Spring-Loaded
Teflon V-Ring Packing**

30065395-936

Key No. 13 – Packing Nut

30775650-001

Key No. 14 – Upper Spring Seat

30041086-107

Key No. 15 – Stem Wiper

30065414-862

**Key No. 16 – Nameplate
(not illustrated)**

30067089-454

**Key No. 17 – Nameplate Screw
(not illustrated)**

30021923-322

Qty 2

Nor' East

1/2" – 2" 4900 Series Three-Way Globe Valves

Guarantee

Products, auxiliaries and parts thereof, of Nor'East Controls' manufacture, are guaranteed for a period of one year from the date of shipment against defective workmanship and material only, when properly installed, operated and serviced in accordance with Nor'East Controls' recommendations. Replacement for items of Nor'East Controls' manufacture will be made free of charge if proved to be defective within such time. No claim for special or consequential damages, transportation, or labor shall be allowed. Purchaser shall be solely responsible for determining suitability for use and in no event shall Nor'East Controls be liable in this respect. Equipment or parts manufactured by others but furnished by Nor'East Controls will be repaired or replaced, only to the extent provided in the original manufacturer's warranty to Nor'East Controls. Nor'East Controls does not guarantee resistance to corrosion, erosion, abrasion or other sources of failure, nor does Nor'East Controls guarantee a minimum length of service. Failure of the purchaser to give prompt written notice of any alleged defect under this guarantee forthwith upon its discovery, or use and possession thereof after an attempt has been made and completed by someone other than Nor'East Controls or an authorized representative to remedy defects therein, or failure to return products or parts for replacement as herein provided, of failure to install, operate, and maintain said products or parts according to instructions provided by Nor'East Controls, of failure to pay the entire contract price when due, shall be a waiver of all rights under these representations.

The foregoing guarantee shall be null and void, if, after shipment from our factory, the item is modified in any way or component of another manufacturer, such as but not limited to; an actuator is attached to the item by valves & controls other than a Nor'East Controls

Factory Service Personnel. All orders accepted shall be deemed accepted subject to this guarantee, which shall be exclusive of any other previous guarantee, and this shall be the only effective guarantee or warranty binding on Nor'East Controls, anything to the contrary contained in the purchase order, or represented by any agent or employee of Nor'East Controls, in writing or otherwise, notwithstanding, including but not limited to implied warranties.

THE FOREGOING OBLIGATIONS ARE IN LIEU OF ALL OTHER OBLIGATIONS AND LIABILITIES INCLUDING WARRANTIES OF FITNESS OR MERCHANTABILITY OR OTHERWISE, EXPRESSED OR IMPLIED IN FACT OR BY LAW, AND STATE NOR'EAST CONTROLS AND EXCLUSIVE LIABILITY AND PURCHASER'S EXCLUSIVE REMEDY FOR ANY CLAIM IN CONNECTION WITH THIS SALE OR FURNISHING OF SERVICES, GOODS, OR PARTS, THEIR OWN DESIGN, SUITABILITY FOR USE, INSTALLATION OR OPERATION.

Limitation of Liability

In no event shall Nor'East Controls be liable for any direct, indirect, special or consequential damages whatsoever, and Nor'East Controls' liability, under no circumstances, will exceed the contract price for the goods and/or services for which liability is claimed. Any action for breach of contract must be commenced within 1 year after the cause of the action has occurred.

1000 Riverside Street, Portland, Maine 04103

Ph: 207-781-8831 Fax: 207-781-8830

Sales and Service

Nor' East Controls representatives are located in major cities throughout the world.

For the name of the representative nearest you, contact:

Web site:www.allagashinternational.com **E-Mail:**sales@allagashinternational.com

Nor' East reserves the right to incorporate our latest design and material changes without notice or obligation. Design features, materials of construction and dimensional data, as described in this bulletin, are provided for your information only and should not be relied upon unless confirmed in writing by Nor' East Controls. Certified drawings are available upon request.